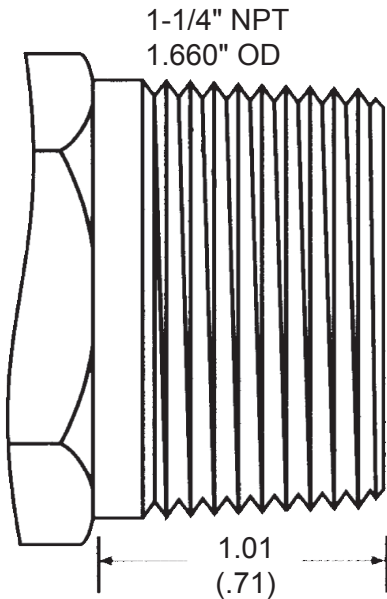


# NPT PIPE THREAD SIZES

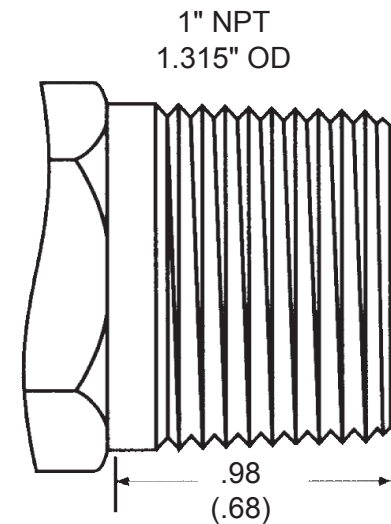
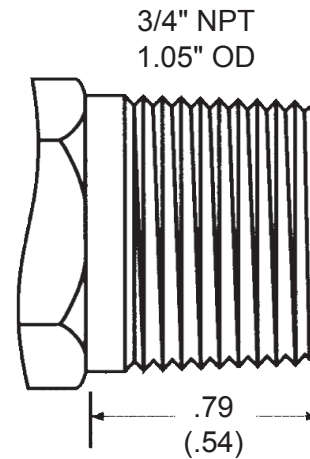
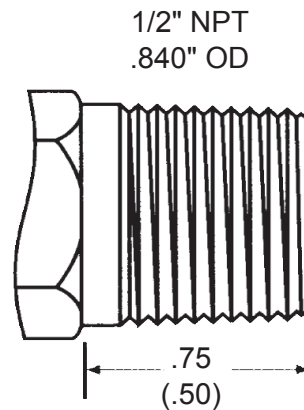
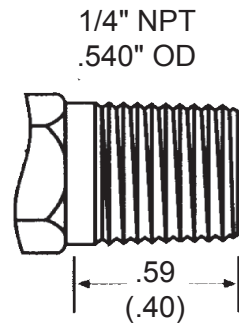
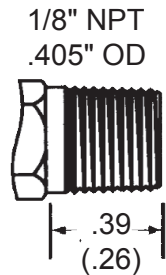
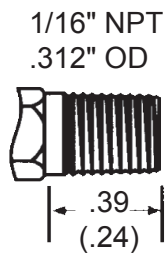


**NOTES:**

- Supplied pipe thread dimensions are reference only.
- Normal thread engagement shown in ( ).

**VACCUUM RATING GUIDE**  
for all Conax Technologies Glands:

SEALANT TYPE	VACCUUM RATING
Neoprene	.005 microns (5x10 <sup>-6</sup> TORR)
Teflon	.005 microns (5x10 <sup>-6</sup> TORR)
Lava	not normally recommended, consult factory
Viton	.005 microns (5x10 <sup>-6</sup> TORR)
Grafoil	.005 microns (5x10 <sup>-6</sup> TORR)



2300 Walden Avenue • Buffalo, New York 14225