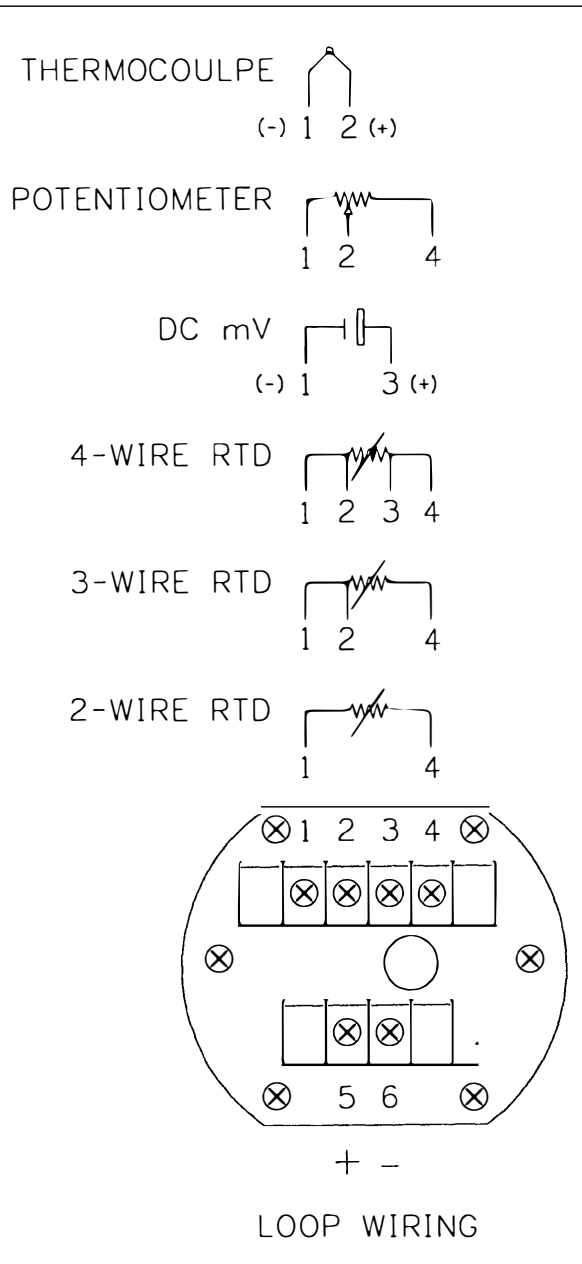
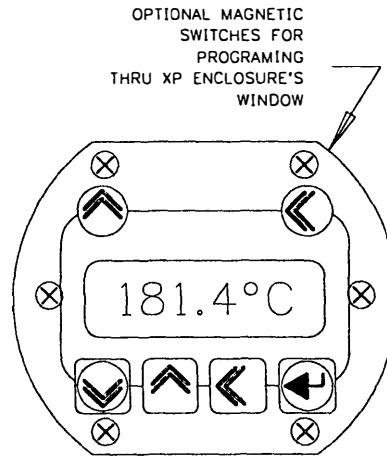


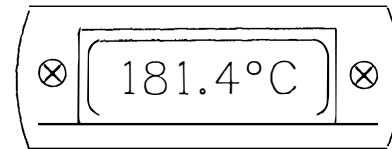
APPENDIX A  
ILLUSTRATIONS



Input-Wiring Diagram

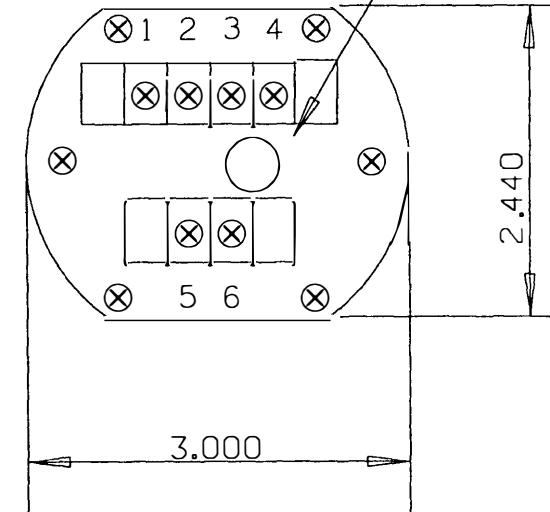


Optional Programmer with Display

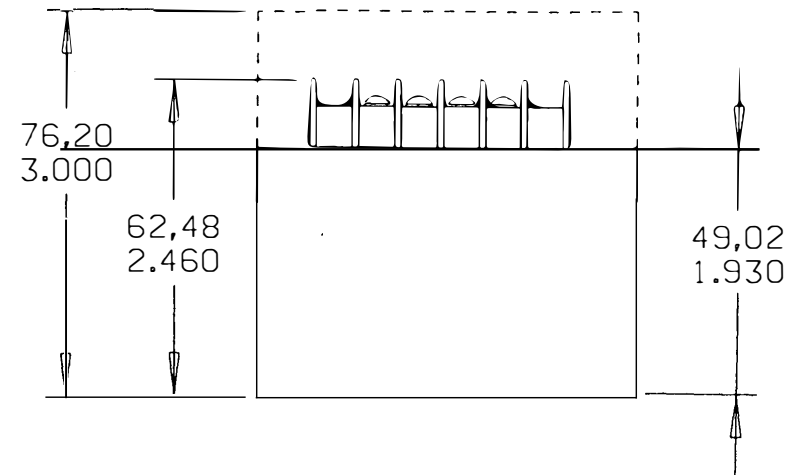


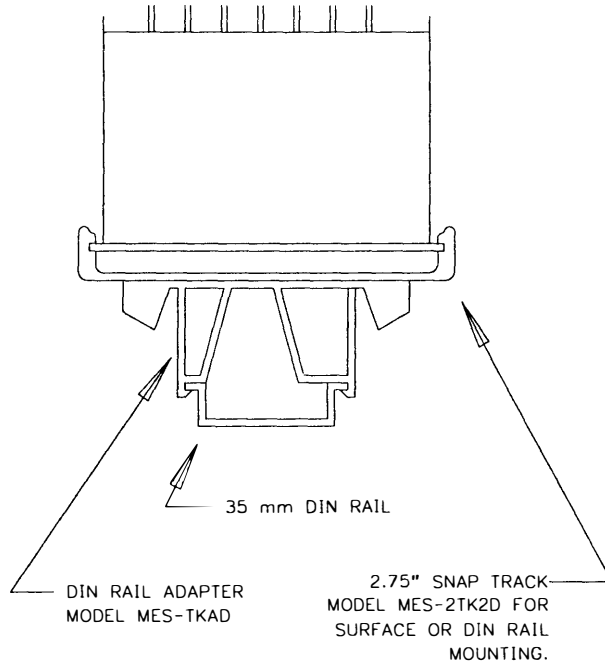
Optional Display

PROGRAMMING PORT

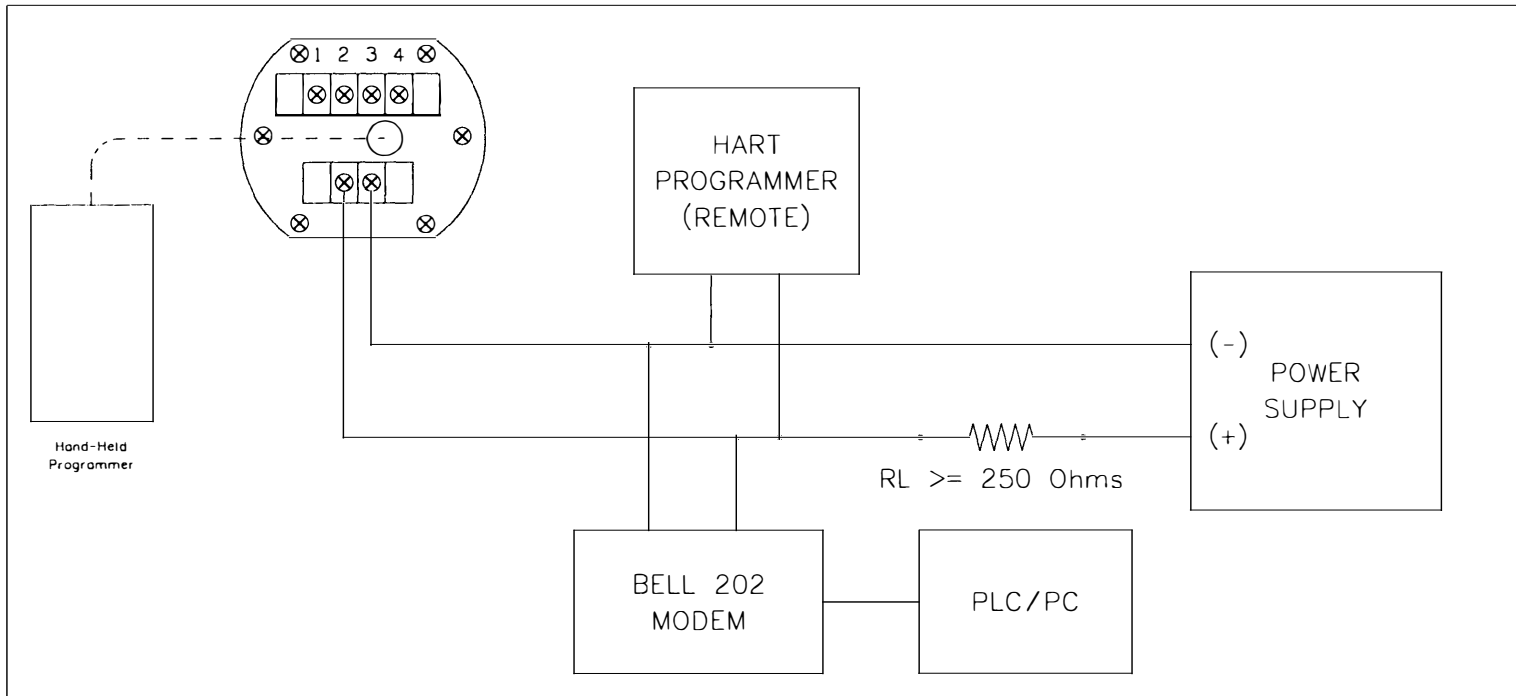


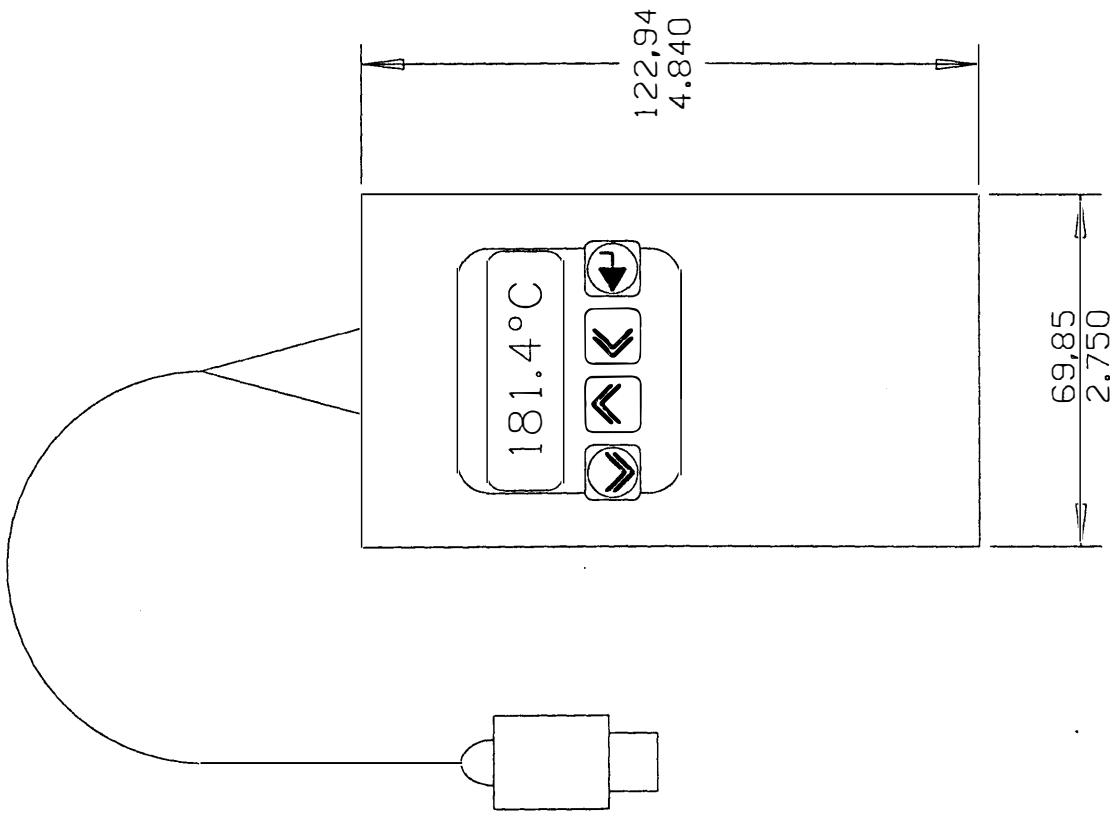
OPTIONAL PROGRAMMER With DISPLAY





Sample loop showing the HST with both Analog and Digital devices.





Hand-Held Programmer