

Introduction to Flanges

Conax Technologies provides four flange styles to accompany its compression seal fittings. All flanges are constructed of 304 SST, 316 SST or carbon steel. Alternate materials and grades are available—consult the factory with your requirements

KF (ISO) Vacuum Flange Mounts

KF Vacuum Flange Mounts offer fast assembly and disassembly. They mate to Varian Klamp-Flange®, MDC Kwik-Flange® and similar vacuum flanges. This mounting style is ideal for roughing and high vacuum applications requiring frequent changeover, including sintering furnaces, vacuum furnaces, and semiconductor and powder metal fabrication processes.

See pages 86-90 for details.

CF (NW) Vacuum Flange Mounts

Designed to mate with Varian Con-Flat®, MDC Del-Seal® or similar vacuum flanges, the Conax Technologies CF Vacuum Flange Mount provides high performance and reliable sealing in all types of vacuum applications.

See pages 91-95 for details.

SFA Sanitary Flange Mounts

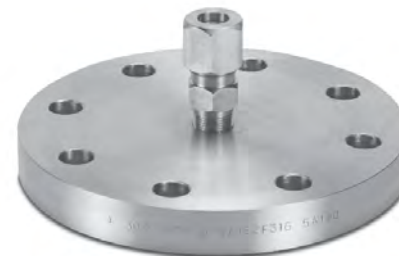
SFA Flange Mounts are designed to mount to Tri-Clover 16 AMP sanitary flanges and equivalent. These mounts provide pressure/vacuum sealing against gases and liquids in pharmaceutical, food and dairy processing.

See pages 96-103 for details.

ASME/ANSI Flange Mounts

Conax Technologies' Seal Fittings may be welded or threaded to ASME B16.5 flanges to create a rugged mounting for environmental sealing and/or securing the position of instrumentation sensor probes. Use of flanges eliminates the need to weld mounting adapters to the pipe or vessel. Common applications include petrochemical processing and distribution, industrial furnaces, bulk cargo carriers, gas sampling coupons and gas storage silos.

See pages 104-105 for details.



KF (ISO) Vacuum Flange Mount



KF Vacuum Flange Mounts offer fast assembly and disassembly. They mate to Varian Klamp-Flange®, MDC Kwik-Flange® and similar vacuum flanges. This mounting style is ideal for roughing and high vacuum applications requiring frequent changeover, including sintering furnaces, vacuum furnaces, and semiconductor and powder metal fabrication processes.

Conax Technologies' KF flanges are constructed from 304 SST standard. The fittings use 316L SST standard bodies with 303 SST standard followers.

For those who would prefer a non-welded assembly, a threaded female adaptor is available for mating to a male NPT fitting (see below).

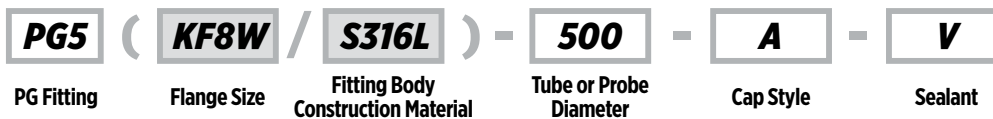
Alternative sealant materials and custom bore sizes are available. Please consult a Conax Technologies sales engineer for custom needs.

Available accessories include hinged aluminum clamps, replacement Viton™ O-rings, centering rings (with Viton™ O-rings), and replacement sealants.

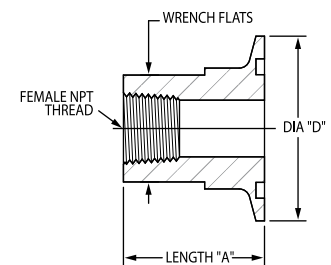
- Vacuum Rating at 68 °F (20 °C): 5×10^{-6} Torr
 - Operating Temperature Range: -10 °F to +300 °F (-23 °C to +150 °C)
 - Helium Leak Rate at 68 °F (20 °C): 1×10^{-6} scc/sec typical
- For accessories, see page 104.

Catalog Numbering System Incorporating a Flange: PG Fitting Example

Conax Technologies incorporates a flange into its catalog numbering system by adding a parenthesis after the fitting type. Inside the parenthesis is the information describing the flange (highlighted in grey).



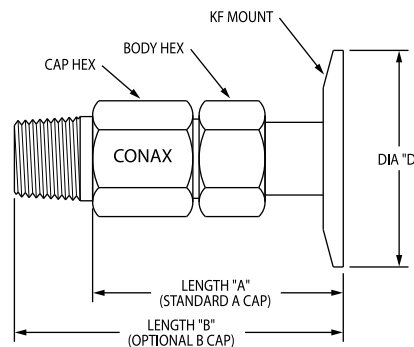
Female Pipe Adaptor (Thermometer Cap)		For use with male NPT thread mount on compression seal fittings (sold separately).							
Female NPT	Tube OD	Conax Designation	Diameter		Length "A"		Wrench Flats		Part Number
			IN	MM	IN	MM	IN	MM	
1/4"	1"	KF6T-250	1.58	40.1	1.04	26.4	0.75	19.1	41-0015-25-25
1/4"	1-1/2"	KF8T-250	2.17	55.1	1.04	26.4	0.75	19.1	41-0015-40-25
1/2"	1-1/2"	KF8T-500	2.17	55.1	1.65	41.9	1.13	28.7	41-0015-40-50
3/4"	1-1/2"	KF8T-750	2.17	55.1	1.65	41.9	1.25	31.8	41-0015-40-75
1/4"	2"	KF9T-250	2.95	74.9	1.04	26.4	0.75	19.1	41-0015-50-25
1/2"	2"	KF9T-500	2.95	74.9	1.65	41.9	1.13	28.7	41-0015-50-50
3/4"	2"	KF9T-750	2.95	74.9	1.65	41.9	1.25	31.8	41-0015-50-75
1"	2"	KF9T-1000	2.95	74.9	1.65	41.9	1.56	39.6	41-0015-50-100



Conax Technologies recommends the use of Teflon™ tape as a thread sealant during assembly. If you wish to purchase the fittings pre-assembled, please contact the factory.

PG Seal Fitting Flange Selection Guide	Conax Flange Style/ISO Equivalent		
	Part Number	KF6W/NW25	KF8W/NW40
MPG	X	X	X
PG2	X	X	X
PG4		X	X
PG5		X	X
PG6			X

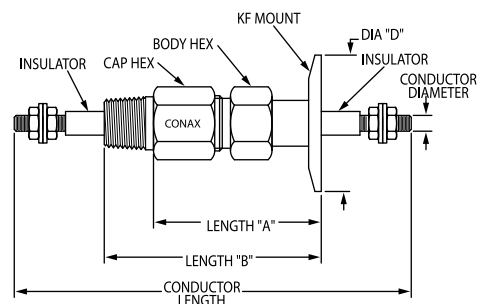
PG Seal Fitting Dimensions	Flange	Type	Dimensions					
			D Diameter		Overall Length A-Cap		Overall Length B-Cap	
			IN	MM	IN	MM	IN	MM
KF6W	MPG		1.58	40.1	1.19	30.2	1.56	39.7
	PG2		1.58	40.1	2.00	50.8	2.63	66.8
KF8W	MPG		2.17	55.1	1.19	30.2	1.56	39.7
	PG2		2.17	55.1	2.00	50.8	2.63	66.8
	PG4		2.17	55.1	2.50	63.5	3.25	82.6
	PG5		2.17	55.1	2.88	73.0	3.63	92.1
KF9W	MPG		2.95	74.9	1.19	30.2	1.56	39.7
	PG2		2.95	74.9	2.00	50.8	2.63	66.8
	PG4		2.95	74.9	2.50	63.5	3.25	82.6
	PG5		2.95	74.9	2.88	73.0	3.63	92.1
	PG6		2.95	74.9	3.50	88.9	4.50	114.3



EG Seal Feedthrough Flange Selection Guide	Conax Flange Style/ISO Equivalent		
	Part Number	KF6W/NW25	KF8W/NW40
EG-093	X	X	X
EG-125	X	X	X
EG-187	X	X	X
EG-250		X	X
EG-312		X	X
EG-375		X	X
EG-500		X	X
EG-750			X



EG Seal Feedthrough Dimensions	Flange	Type	Dimensions					
			D Diameter		Overall Length A-Cap		Overall Length B-Cap	
			IN	MM	IN	MM	IN	MM
KF6W	EG-093		1.58	40.1	1.38	35.1	1.75	44.4
	EG-125/187		1.58	40.1	2.00	50.8	2.63	66.8
KF8W	EG-093		2.17	55.1	1.38	35.1	1.75	44.4
	EG-125/187		2.17	55.1	2.00	50.8	2.63	66.8
	EG-250/312		2.17	55.1	2.56	64.5	3.38	85.9
	EG-375/500		2.17	55.1	3.31	84.1	4.06	103.1
	EG-750		2.95	74.9	5.00	127.0	N/O	N/O
KF9W	EG-093		2.95	74.9	1.38	35.1	1.75	44.4
	EG-125/187		2.95	74.9	2.00	50.8	2.63	66.8
	EG-250/312		2.95	74.9	2.56	64.5	3.38	85.9
	EG-375/500		2.95	74.9	3.31	84.1	4.06	103.1
	EG-750		2.95	74.9	5.00	127.0	N/O	N/O



N/O = Not offered.

FLANGES—KF (ISO) VACUUM FLANGE MOUNT

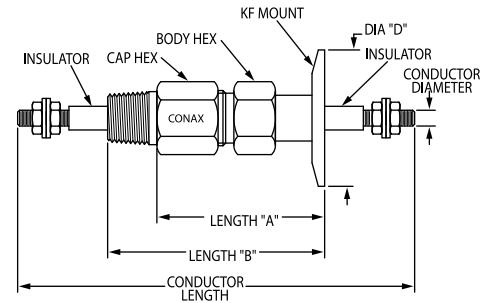
EGT Seal Feedthrough Flange Selection Guide

Part Number	Conax Flange Style/ISO Equivalent		
	KF6W/NW25	KF8W/NW40	KF9W/NW50
EGT-093	X	X	X
EGT-125	X	X	X
EGT-187		X	X
EGT-250		X	X
EGT-375		X	X
EGT-500		X	X
EGT-750			X



EGT Seal Feedthrough Dimensions

Flange	Type	D Diameter		Overall Length A-Cap		Overall Length B-Cap	
		IN	MM	IN	MM	IN	MM
KF6W	EGT-093	1.58	40.1	1.19	30.2	1.56	39.7
	EGT-125	1.58	40.1	2.00	50.8	2.63	66.8
KF8W	EGT-093	2.17	55.1	1.19	30.2	1.56	39.7
	EGT-125	2.17	55.1	2.00	50.8	2.63	66.8
	EGT-187/250	2.17	55.1	2.50	63.5	3.25	82.6
	EGT-375/500	2.17	55.1	2.88	73.0	3.63	92.1
KF9W	EGT-093	2.95	74.9	1.19	30.2	1.56	39.7
	EGT-125	2.95	74.9	2.00	50.8	2.63	66.8
	EGT-187/250	2.95	74.9	2.50	63.5	3.25	82.6
	EGT-375/500	2.95	74.9	2.88	73.0	3.63	92.1
	EGT-750	2.95	74.9	3.50	88.9	4.50	114.3



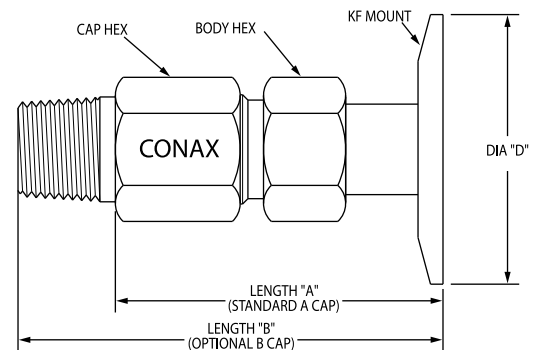
MHC Seal Fitting Flange Selection Guide

Part Number	Conax Flange Style/ISO Equivalent		
	KF6W/NW25	KF8W/NW40	KF9W/NW50
MHC1	X	X	X
MHC2	X	X	X
MHC4		X	X
MHC5		X	X



MHC Seal Fitting Dimensions

Flange	Type	Holes	D Diameter		Overall Length A-Cap		Overall Length B-Cap	
			IN	MM	IN	MM	IN	MM
KF6W	MHC1-020/032	2,4	1.58	40.1	1.38	35.1	1.75	44.4
	MHC1-062	1	1.58	40.1	1.38	35.1	1.75	44.4
	MHC2-020/032	2,4	1.58	40.1	2.00	50.8	2.63	66.8
	MHC2-062	1	1.58	40.1	2.00	50.8	2.63	66.8
KF8W	MHC1-020/032	2,4	2.17	55.1	1.38	35.1	1.75	44.4
	MHC1-062	1	2.17	55.1	1.38	35.1	1.75	44.4
	MHC2-020/032	2,4	2.17	55.1	2.00	50.8	2.63	66.8
	MHC2-062	1	2.17	55.1	2.00	50.8	2.63	66.8
	MHC4-032/040	6,8	2.17	55.1	2.63	66.8	3.38	85.9
	MHC4-062	2,3,4	2.17	55.1	2.63	66.8	3.38	85.9
	MHC5-032	16	2.17	55.1	2.88	73.2	3.63	92.2
	MHC5-062	6,8	2.17	55.1	2.88	73.2	3.63	92.2
KF9W	MHC5-125	2	2.17	55.1	2.88	73.2	3.63	92.2
	MHC1-020/032	2,4	2.95	74.9	1.38	35.1	1.75	44.4
	MHC1-062	1	2.95	74.9	1.38	35.1	1.75	44.4
	MHC2-020/032	2,4	2.95	74.9	2.00	50.8	2.63	66.8
	MHC2-062	1	2.95	74.9	2.00	50.8	2.63	66.8
	MHC4-032/040	6,8	2.95	74.9	2.63	66.8	3.38	85.9
	MHC4-062	2,3,4	2.95	74.9	2.63	66.8	3.38	85.9
	MHC5-032	16	2.95	74.9	2.88	73.2	3.63	92.2
MHC5-062	6,8	2.95	74.9	2.88	73.2	3.63	92.2	
MHC5-125	2	2.95	74.9	2.88	73.2	3.63	92.2	

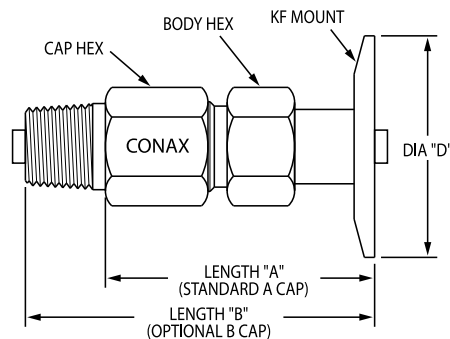
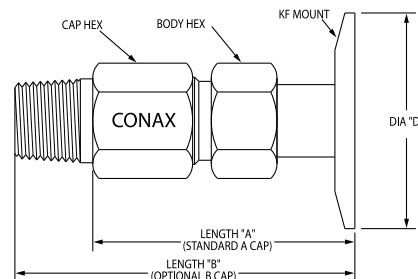


MHM Seal Fitting Flange Selection Guide	Conax Flange Style/ISO Equivalent		
	Part Number	KF6W/NW25	KF8W/NW40
MHM2	X	X	X
MHM4		X	X
MHM5		X	X
MHM6			X

MHM Seal Fitting Dimensions	Flange	Type	Dimensions					
			D Diameter		Overall Length A-Cap		Overall Length B-Cap	
			IN	MM	IN	MM	IN	MM
	KF6W	MHM2	1.58	40.1	2.00	50.8	2.63	66.8
	KF8W	MHM2	2.17	55.1	2.00	50.8	2.63	66.8
		MHM4	2.17	55.1	2.56	65.0	3.38	85.9
		MHM5	2.17	55.1	3.31	84.1	4.06	103.1
	KF9W	MHM2	2.95	74.9	2.00	50.8	2.63	66.8
		MHM4	2.95	74.9	2.56	65.0	3.38	85.9
		MHM5	2.95	74.9	3.31	84.1	4.06	103.1
		MHM6	2.95	74.9	3.80	96.5	5.00	127.0

PL Seal Feedthrough Flange Selection Guide	Part Number	Holes	Conax Flange Style/ISO Equivalent		
			KF6W/NW25	KF8W/NW40	KF9W/NW50
	PL-20	2-18		X	X
	PL-18	1	X	X	X
	PL-18	2-12		X	X
	PL-16	2-12		X	X
	PL-14	1	X	X	X
	PL-14	2-12		X	X
	PL-12	2-6		X	X
	PL-10	2-4		X	X
	PL-8	2,3		X	X

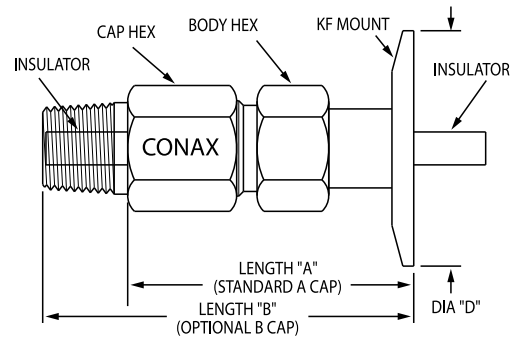
PL Seal Feedthrough Dimensions	Flange	Type	Holes	Dimensions						
				D Diameter		Overall Length A-Cap		Overall Length B-Cap		
				IN	MM	IN	MM	IN	MM	
	KF6W	PL-18/14	1	1.58	40.1	1.38	35.1	1.75	44.5	
	KF8W	PL-18/14	1	2.17	55.1	1.38	35.1	1.75	44.5	
		PL-20/18/16	2,3,4	2.17	55.1	2.63	66.8	3.38	85.9	
		PL-14	2	2.17	55.1	2.63	66.8	3.38	85.9	
		PL-14	3,4	2.17	55.1	2.88	73.2	3.63	92.2	
		PL-20/18/16/14	6,8	2.17	55.1	2.88	73.2	3.63	92.2	
		PL-20	18	2.17	55.1	2.88	73.2	3.63	92.2	
		PL-18/16/14	10,12	2.17	55.1	2.88	73.2	3.63	92.2	
		PL-12	2,3,4,6	2.17	55.1	2.88	73.2	3.63	92.2	
		PL-10	2,3,4	2.17	55.1	2.88	73.2	3.63	92.2	
		PL-8	2	2.17	55.1	2.88	73.2	3.63	92.2	
		PL-8	3	2.17	55.1	2.88	73.2	3.63	92.2	
		KF9W	PL-18/14	1	2.95	74.9	1.47	37.3	1.84	46.7
			PL-20/18/16	2,3,4	2.17	55.1	2.63	66.8	3.38	85.9
	PL-14		2	2.95	74.9	2.63	66.8	3.38	85.9	
	PL-14		3,4	2.95	74.9	2.88	73.2	3.63	92.2	
	PL-20/18/16/14		6,8	2.95	74.9	2.88	73.2	3.63	92.2	
	PL-20		18	2.95	74.9	2.88	73.2	3.63	92.2	
	PL-18/16/14		10,12	2.95	74.9	2.88	73.2	3.63	92.2	
	PL-12		2,3,4,6	2.95	74.9	2.88	73.2	3.63	92.2	
	PL-10		2,3,4	2.95	74.9	2.88	73.2	3.63	92.2	
	PL-8	2	2.95	74.9	2.88	73.2	3.63	92.2		
	PL-8	3	2.95	74.9	2.88	73.2	3.63	92.2		



TG Seal Fitting Flange Selection Guide		Conax Flange Style/ISO Equivalent		
Part Number	Holes	KF6W/NW25	KF8W/NW40	KF9W/NW50
MTG-24	2,4	X	X	X
MTG-20	2,4	X	X	X
MTG-14	1	X	X	X
TG-24	2,4	X	X	X
TG-20	2,4	X	X	X
TG-20	6,8		X	X
TG-20	16		X	X
TG-18	6,8		X	X
TG-14	1	X	X	X
TG-14	2,3,4		X	X
TG-14	6,8		X	X
TG-8	2		X	X



TG Seal Fitting Dimensions		Dimensions						
Flange	Type	Holes	D Diameter		Overall Length A-Cap		Overall Length B-Cap	
			IN	MM	IN	MM	IN	MM
KF6W	MTG-24/20	2,4	1.58	40.1	1.38	35.1	1.75	44.4
	MTG-14	1	1.58	40.1	1.38	35.1	1.75	44.4
	TG-24/20	2,4	1.58	40.1	2.00	50.8	2.63	66.8
	TG-14	1	1.58	40.1	2.00	50.8	2.63	66.8
KF8W	MTG-24/20	2,4	2.17	55.1	1.38	35.1	1.75	44.4
	MTG-14	1	2.17	55.1	1.38	35.1	1.75	44.4
	TG-24/20	2,4	2.17	55.1	2.00	50.8	2.63	66.8
	TG-14	1	2.17	55.1	2.00	50.8	2.63	66.8
	TG-20/18	6,8	2.17	55.1	2.63	66.8	3.38	85.9
	TG-14	2,3,4	2.17	55.1	2.63	66.8	3.38	85.9
	TG-20	16	2.17	55.1	2.88	73.2	3.63	92.2
	TG-14	6,8	2.17	55.1	2.88	73.2	3.63	92.2
KF9W	TG-8	2	2.17	55.1	2.88	73.2	3.63	92.2
	MTG-24/20	2,4	2.95	74.9	1.38	35.1	1.75	44.4
	MTG-14	1	2.95	74.9	1.38	35.1	1.75	44.4
	TG-24/20	2,4	2.95	74.9	2.00	50.8	2.63	66.8
	TG-14	1	2.95	74.9	2.00	50.8	2.63	66.8
	TG-20/18	6,8	2.95	74.9	2.63	66.8	3.38	85.9
	TG-14	2,3,4	2.95	74.9	2.63	66.8	3.38	85.9
	TG-20	16	2.95	74.9	2.88	73.2	3.63	92.2
TG-14	6,8	2.95	74.9	2.88	73.2	3.63	92.2	
TG-8	2	2.95	74.9	2.88	73.2	3.63	92.2	



CF (NW) Vacuum Flange Mount

Designed to mate with Varian Con-Flat®, MDC Del-Seal® or similar vacuum flanges, the Conax Technologies Fitting with CF Vacuum Flange Mount provides high performance and reliable sealing in all types of vacuum applications.

A non-rotatable 304 SST standard flange with non-tapped throughholes is welded to a 316L SST standard fitting body. The flange is available with an oxygen-free copper gasket or a Viton™ gasket for unbaked applications. The fitting is available with a Viton™ or GraFoil™ sealant.

Alternative sealant materials and custom bore sizes are available. Please consult a Conax Technologies sales engineer for custom needs.

- Vacuum Rating at 68 °F (20 °C): 5x10⁻⁶ Torr
 - Temperature Range: -328 °F to +842 °F (-200 °C to +450 °C) with metal gasket
 - Temperature Range: -4 °F to +302 °F (-20 °C to +150 °C) with Viton™ gasket
 - Helium Leak Rate at 68 °F (20 °C): 1x10⁻⁶ scc/sec typical
- See pages 106-109 for accessories.



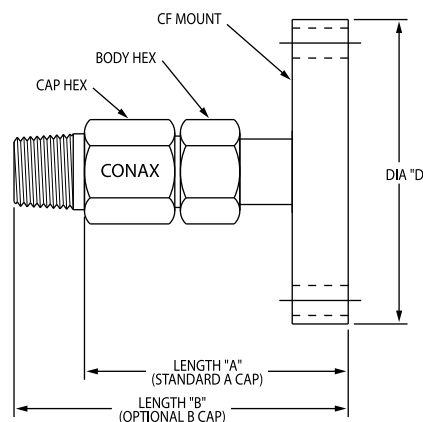
Catalog Numbering System Incorporating a Flange: PG Fitting Example

Conax Technologies incorporates a flange into its catalog numbering system by adding a parenthesis after the fitting type. Inside the parenthesis is the information describing the flange (highlighted in grey).



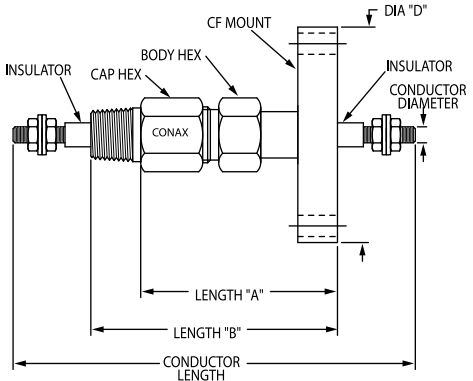
PG Seal Fitting Flange Selection Guide	Conax Flange Style/ISO Equivalent			
	CFNC1/NW16CF	CFNC2/NW25CF	CFNC3/NW35CF	CFNC4/NW50CF
MPG	X	X	X	X
PG2	X	X	X	X
PG4		X	X	X
PG5			X	X
PG6				X

PG Seal Fitting Dimensions	Flange	Type	Dimensions					
			D Diameter		Overall Length A-Cap		Overall Length B-Cap	
			IN	MM	IN	MM	IN	MM
CFNC1W		MPG	1.33	33.8	1.27	32.3	1.64	41.7
		PG2	1.33	33.8	2.08	52.8	2.71	68.8
CFNC2W		MPG	2.13	56.3	1.40	35.6	1.77	45.0
		PG2	2.13	56.3	2.21	56.1	2.84	72.1
		PG4	2.13	56.3	2.77	70.4	3.52	89.4
CFNC3W		MPG	2.75	69.9	1.40	35.6	1.77	45.0
		PG2	2.75	69.9	2.21	56.1	2.84	72.1
		PG4	2.75	69.9	2.77	70.4	3.52	89.4
		PG5	2.75	69.9	3.09	78.5	3.84	97.5
CFNC4W		MPG	3.38	85.7	1.42	36.1	1.79	45.5
		PG2	3.38	85.7	2.23	56.6	2.86	72.6
		PG4	3.38	85.7	2.79	70.9	3.55	90.2
		PG5	3.38	85.7	3.11	80.0	3.86	98.0
		PG6	3.38	85.7	3.73	94.7	4.73	120.1



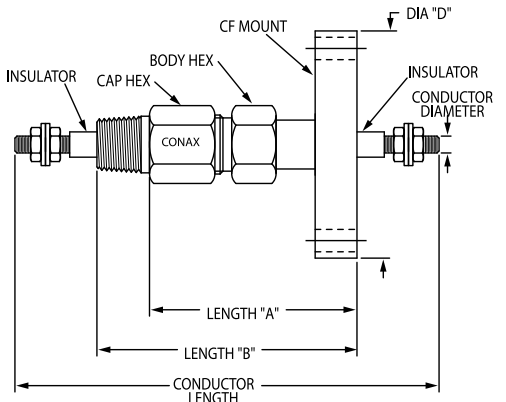
EG Seal Feedthrough Flange Selection Guide		Conax Flange Style/ISO Equivalent			
Part Number	CFNC1/NW16CF	CFNC2/NW25CF	CFNC3/NW35CF	CFNC4/NW50CF	
EG-093	X	X	X	X	
EG-125	X	X	X	X	
EG-187	X	X	X	X	
EG-250		X	X	X	
EG-312		X	X	X	
EG-375			X	X	
EG-500			X	X	

EG Seal Feedthrough Dimensions		Dimensions					
Flange	Type	D Diameter		Overall Length A-Cap		Overall Length B-Cap	
		IN	MM	IN	MM	IN	MM
CFNC1	EG-093	1.33	33.8	1.46	37.1	1.83	46.5
	EG-125/187	1.33	33.8	2.08	52.8	2.71	68.8
CFNC2	EG-093	2.13	56.3	1.59	40.4	1.96	49.8
	EG-125/187	2.13	56.3	2.21	56.1	2.84	72.1
	EG-250/312	2.13	56.3	2.77	70.4	3.51	89.2
CFNC3	EG-093	2.75	69.9	1.59	40.4	1.96	49.8
	EG-125/187	2.75	69.9	2.21	56.1	2.84	72.1
	EG-250/312	2.75	69.9	2.77	70.4	3.51	89.2
	EG-375/500	2.75	69.9	3.52	89.4	4.27	108.5
CFNC4	EG-093	3.38	85.7	1.61	40.9	1.98	50.3
	EG-125/187	3.38	85.7	2.21	56.1	2.86	72.6
	EG-250/312	3.38	85.7	2.79	70.9	3.61	91.7
	EG-375/500	3.38	85.7	3.55	90.2	4.29	109.0



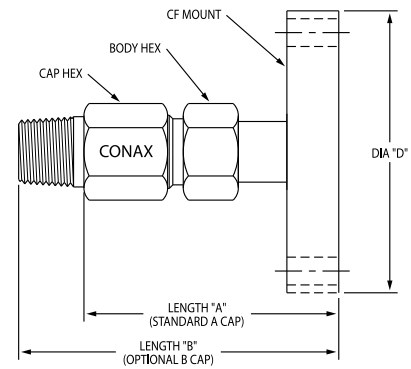
EGT Seal Feedthrough Flange Selection Guide		Conax Flange Style/ISO Equivalent			
Part Number	CFNC1/NW16CF	CFNC2/NW25CF	CFNC3/NW35CF	CFNC4/NW50CF	
EGT-093	X	X	X	X	
EGT-125	X	X	X	X	
EGT-187		X	X	X	
EGT-250		X	X	X	
EGT-375			X	X	
EGT-500			X	X	
EGT-750				X	

EGT Seal Feedthrough Dimensions		Dimensions					
Flange	Type	D Diameter		Overall Length A-Cap		Overall Length B-Cap	
		IN	MM	IN	MM	IN	MM
CFNC1	EGT-093	1.33	33.8	1.27	32.3	1.64	41.7
	EGT-125	1.33	33.8	2.08	52.8	2.71	68.8
CFNC2	EGT-093	2.13	56.3	1.40	35.6	1.77	45.0
	EGT-125	2.13	56.3	2.21	56.1	2.84	72.1
CFNC3	EGT-187/250	2.13	56.3	2.77	70.4	3.52	89.4
	EGT-093	2.75	69.9	1.40	35.6	1.77	45.0
	EGT-125	2.75	69.9	2.21	56.1	2.84	72.1
CFNC4	EGT-187/250	2.75	69.9	2.77	70.4	3.52	89.4
	EGT-375/500	2.75	69.9	3.09	78.5	3.84	97.5
	EGT-093	3.38	85.7	1.42	36.1	1.79	45.5
	EGT-125	3.38	85.7	2.23	56.6	2.86	72.6
CFNC4	EGT-187/250	3.38	85.7	2.79	70.9	3.55	90.2
	EGT-375/500	3.38	85.7	3.11	79.0	3.86	98.0
	EGT-750	3.38	85.7	3.73	94.7	4.73	120.1



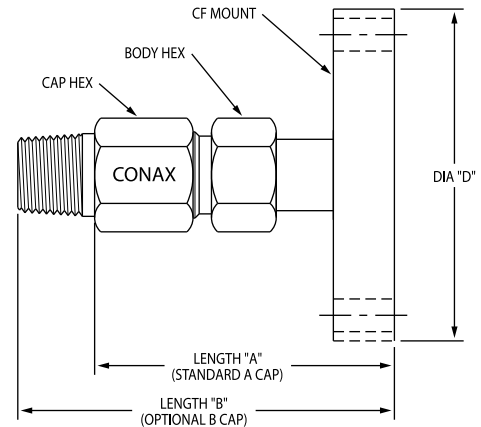
MHC Seal Fitting Flange Selection Guide		Conax Flange Style/ISO Equivalent			
Part Number	Holes	CFNC1/NW16CF	CFNC2/NW25CF	CFNC3/NW35CF	CFNC4/NW50CF
MHC1	2,4	X	X	X	X
MHC2	2,4	X	X	X	X
MHC4	6,8		X	X	X
MHC5	16			X	X

MHC Seal Fitting Dimensions		Dimensions						
Flange	Type	Holes	D Diameter		Overall Length A-Cap		Overall Length B-Cap	
			IN	MM	IN	MM	IN	MM
CFNC1	MHC1	2,4	1.33	33.8	1.46	37.1	1.83	46.5
	MHC2	2,4	1.33	33.8	2.08	52.8	2.71	68.8
CFNC2	MHC1	2,4	2.13	56.3	1.59	40.4	1.96	49.8
	MHC2	2,4	2.13	56.3	2.21	56.1	2.84	72.1
	MHC4	6,8	2.13	56.3	2.84	72.1	3.59	91.2
CFNC3	MHC1	2,4	2.75	69.9	1.59	40.4	1.96	49.8
	MHC2	2,4	2.75	69.9	2.21	56.1	2.84	72.1
	MHC4	6,8	2.75	69.9	2.84	72.1	3.59	91.2
	MHC5	16	2.75	69.9	3.09	78.5	3.84	97.5
CFNC4	MHC1	2,4	3.38	85.7	1.71	43.4	2.08	52.8
	MHC2	2,4	3.38	85.7	2.23	56.6	2.86	72.6
	MHC4	6,8	3.38	85.7	2.86	72.6	3.61	91.7
	MHC5	16	3.38	85.7	3.11	79.0	3.86	98.0



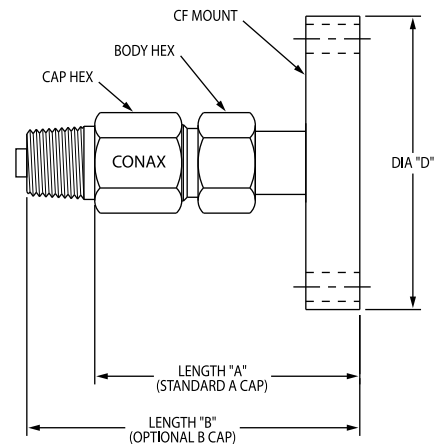
MHM Seal Fitting Flange Selection Guide		Conax Flange Style/ISO Equivalent			
Part Number	CFNC1/NW16CF	CFNC2/NW25CF	CFNC3/NW35CF	CFNC4/NW50CF	CFNC5/NW63CF
MHM2	X	X	X	X	
MHM4		X	X	X	
MHM5			X	X	
MHM6					X

MHM Seal Fitting Dimensions		Dimensions					
Flange	Type	D Diameter		Overall Length A-Cap		Overall Length B-Cap	
		IN	MM	IN	MM	IN	MM
CFNC1	MHM2	1.33	33.8	2.08	52.8	2.71	68.8
CFNC2	MHM2	2.13	56.3	2.21	56.1	2.84	72.1
	MHM4	2.13	56.3	2.77	70.4	3.59	91.2
CFNC3	MHM2	2.75	69.9	2.21	56.1	2.84	72.1
	MHM4	2.75	69.9	2.77	70.4	3.59	91.2
	MHM5	2.75	69.9	3.52	89.4	4.27	108.5
CFNC4	MHM2	3.38	85.7	2.23	56.6	2.86	72.6
	MHM4	3.38	85.7	2.79	70.1	3.61	91.7
	MHM5	3.38	85.7	3.55	90.2	4.29	109.0
CFNC5	MHM6	4.47	113.5	4.03	102.4	5.25	133.0



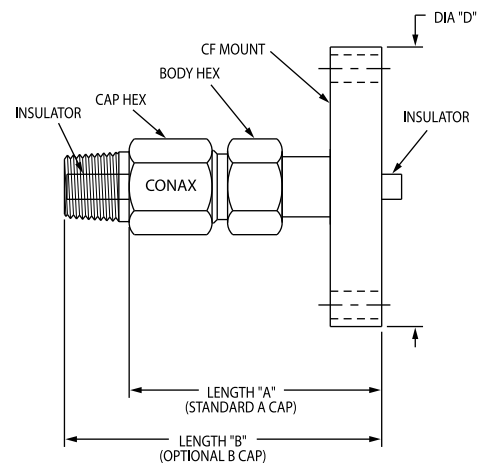
PL Seal Feedthrough Flange Selection Guide		Conax Flange Style/ISO Equivalent			
Part Number	Holes	CFNC1/NW16CF	CFNC2/NW25CF	CFNC3/NW35CF	CFNC4/NW50CF
PL-18	1	X	X	X	X
PL-14	1	X	X	X	X
PL-20	2,3,4		X	X	X
PL-18	2,3,4		X	X	X
PL-16	2,3,4		X	X	X
PL-14	2		X	X	X
PL-14	3,4			X	X
PL-20	6-18			X	X
PL-18	6-12			X	X
PL-16	6-12			X	X
PL-14	6-12			X	X
PL-12	2,3,4,6			X	X
PL-10	2,3,4			X	X
PL-8	2,3			X	X

PL Seal Feedthrough Dimensions		Dimensions						
Flange	Type	Holes	D Diameter		Overall Length A-Cap		Overall Length B-Cap	
			IN	MM	IN	MM	IN	MM
CFNC1	PL-18/14	1	1.33	33.8	1.46	37.1	1.83	46.5
CFNC2	PL-18/14	1	2.13	56.3	1.59	40.4	1.96	49.8
	PL-20/18/16	2,3,4	2.13	56.3	2.84	72.1	3.59	91.2
CFNC3	PL-14	2	2.13	56.3	2.84	72.1	3.59	91.2
	PL-18/14	1	2.75	69.9	1.59	40.4	1.96	49.8
	PL-20/18/16	2,3,4	2.75	69.9	2.84	72.1	3.59	91.2
	PL-14	2	2.75	69.9	2.84	72.1	3.59	91.2
	PL-14	3,4	2.75	69.9	3.09	78.5	3.84	97.5
	PL-20/18/16	6,8	2.75	69.9	3.09	78.5	3.84	97.5
	PL-20	18	2.75	69.9	3.09	78.5	3.84	97.5
	PL-18/16/14	10,12	2.75	69.9	3.09	78.5	3.84	97.5
	PL-12	2,3,4,6	2.75	69.9	3.09	78.5	3.84	97.5
	PL-10	2,3,4	2.75	69.9	3.09	78.5	3.84	97.5
	PL-8	2	2.75	69.9	3.09	78.5	3.84	97.5
CFNC4	PL-18/14	1	3.38	85.7	1.71	43.4	2.08	52.8
	PL-20/18/16	2,3,4	3.38	85.7	2.86	72.6	3.61	91.7
	PL-14	2	3.38	85.7	2.86	72.6	3.61	91.7
	PL-14	3,4	3.38	85.7	3.11	79.0	3.86	98.0
	PL-20/18/16/14	6,8	3.38	85.7	3.11	79.0	3.86	98.0
	PL-20	18	3.38	85.7	3.11	79.0	3.86	98.0
	PL-18/16/14	10,12	3.38	85.7	3.11	79.0	3.86	98.0
	PL-12	2,3,4,6	3.38	85.7	3.11	79.0	3.86	98.0
	PL-10	2,3,4	3.38	85.7	3.11	79.0	3.86	98.0
	PL-8	2	3.38	85.7	3.11	79.0	3.86	98.0
PL-8	3	3.38	85.7	3.11	79.0	3.86	98.0	

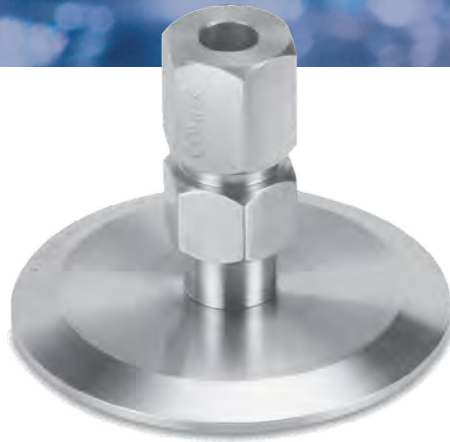


TG Seal Fitting Flange Selection Guide		Conax Flange Style/ISO Equivalent			
Part Number	Holes	CFNC1/NW16CF	CFNC2/NW25CF	CFNC3/NW35CF	CFNC4/NW50CF
MTG-24	2,4	X	X	X	X
MTG-20	2,4	X	X	X	X
MTG-14	1	X	X	X	X
TG-24	2,4	X	X	X	X
TG-20	2,4	X	X	X	X
TG-20	6,8		X	X	X
TG-20	16			X	X
TG-18	6,8		X	X	X
TG-14	1	X	X	X	X
TG-14	2,3,4		X	X	X
TG-14	6,8			X	X
TG-8	2			X	X

TG Seal Fitting Dimensions		Dimensions						
Flange	Type	Holes	D Diameter		Overall Length A-Cap		Overall Length B-Cap	
			IN	MM	IN	MM	IN	MM
CFNC1	MTG-24/20	2,4	1.33	33.8	1.46	37.1	1.83	46.5
	MTG-14	1	1.33	33.8	1.46	37.1	1.83	46.5
	TG-24/20	2,4	1.33	33.8	2.08	52.8	2.71	68.8
	TG-14	1	1.33	33.8	2.08	52.8	2.71	68.8
CFNC2	MTG-24/20	2,4	2.13	56.3	1.59	40.4	1.96	49.8
	MTG-14	1	2.13	56.3	1.59	40.4	1.96	49.8
	TG-24/20	2,4	2.13	56.3	2.21	56.1	2.84	72.1
	TG-14	1	2.13	56.3	2.21	56.1	2.84	72.1
	TG-20/18	6,8	2.13	56.3	2.84	72.1	3.59	91.2
	TG-14	2,3,4	2.13	56.3	2.84	72.1	3.59	91.2
CFNC3	MTG-24/20	2,4	2.75	69.9	1.59	40.4	1.96	49.8
	MTG-14	1	2.75	69.9	1.59	40.4	1.96	49.8
	TG-24/20	2,4	2.75	69.9	2.21	56.1	2.84	72.1
	TG-14	1	2.75	69.9	2.21	56.1	2.84	72.1
	TG-20/18	6,8	2.75	69.9	2.84	72.1	3.59	91.2
	TG-14	2,3,4	2.75	69.9	2.84	72.1	3.59	91.2
	TG-20	16	2.75	69.9	3.09	78.5	3.84	97.5
	TG-14	6,8	2.75	69.9	3.09	78.5	3.84	97.5
	TG-8	2	2.75	69.9	3.09	78.5	3.84	97.5
	CFNC4	MTG-24/20	2,4	3.38	85.7	1.71	43.4	2.08
MTG-14		1	3.38	85.7	1.71	43.4	2.08	52.8
TG-24/20		2,4	3.38	85.7	2.23	56.6	2.86	72.6
TG-14		1	3.38	85.7	2.23	56.6	2.86	72.6
TG-20/18		6,8	3.38	85.7	2.86	72.6	3.61	91.7
TG-14		2,3,4	3.38	85.7	2.86	72.6	3.61	91.7
TG-20		16	3.38	85.7	3.11	79.0	3.86	98.0
TG-14		6,8	3.38	85.7	3.11	79.0	3.86	98.0
TG-8		2	3.38	85.7	3.11	79.0	3.86	98.0



SFA Sanitary Flange Mount



SFA Flange Mounts are designed to mount to Tri-Clover® 16 AMP sanitary flanges and equivalent. These mounts provide pressure/vacuum sealing against gases and liquids in pharmaceutical, food and dairy processing.

Conax Technologies SFA flanges are constructed from 316L SST standard. The fittings use 316L SST standard bodies. Standard finish on the flange face is 32 Ra. Optional 16 Ra finish is also available. Viton™ and Teflon™ sealants are offered.

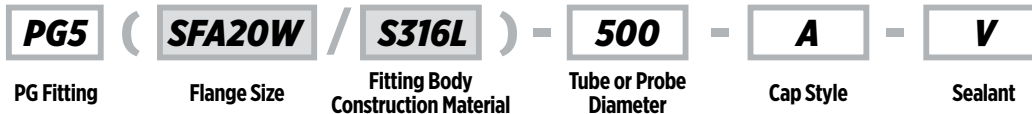
For those who would prefer a non-welded assembly, a threaded female adaptor is available for mating to a male NPT PG Seal Fitting (see below). Teflon™ tape is standard as the thread sealant.

Alternative sealant materials and custom bore sizes are available. Please consult a Conax Technologies sales engineer for custom needs.

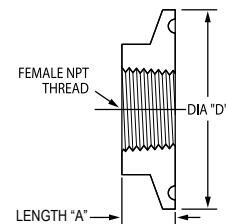
- Vacuum Rating at 68 °F (20 °C): 5x10⁻⁶ Torr
 - Assembly Pressure Rating is determined by the lowest of the following: clamp rating, fitting rating or 500 PSIG
 - Operating Temperature Range: -10 °F to +400 °F (+23 °C to +204 °C)
 - Helium Leak Rate at 68 °F (20 °C): 1x10⁻⁶ scc/sec typical
- See pages 106-109 for accessories.

Catalog Numbering System Incorporating a Flange: PG Fitting Example

Conax Technologies incorporates a flange into its catalog numbering system by adding a parenthesis after the fitting type. Inside the parenthesis is the information describing the flange (highlighted in grey).



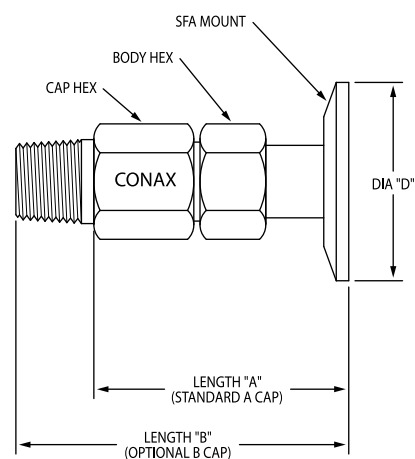
Female Pipe Adaptor (Thermometer Cap)		For use with male NPT thread mount on compression seal fittings (sold separately).					
Female NPT	Tube OD	Conax Designation	Diameter		Length "A"		Part Number
			IN	MM	IN	MM	
1/4"	1/2" & 3/4"	SFA05T-250	0.98	25.4	0.63	16.0	318820-007
1/2"	1" & 1-1/2"	SFA10T-500	1.98	50.3	0.63	16.0	318820-006
3/4"	1" & 1-1/2"	SFA10T-750	1.98	50.3	0.63	16.0	318820-001
3/4"	2"	SFA20T-750	2.52	64.0	0.63	16.0	318820-002
3/4"	2-1/2"	SFA25T-750	3.05	77.5	0.63	16.0	318820-003
3/4"	3"	SFA30T-750	3.58	90.0	0.63	16.0	318820-004
3/4"	4"	SFA40T-750	4.68	119.0	0.63	16.0	318820-005



Conax Technologies recommends the use of Teflon™ tape as a thread sealant during assembly. If you wish to purchase the fittings pre-assembled, please contact the factory.

PG Seal Fitting Flange Selection Guide						
Part Number Tube OD	SFA05 1/2 & 3/4	SFA10 1 & 1-1/2	SFA20 2	SFA25 2-1/2	SFA30 3	SFA40 4
MPG	X	X	X	X	X	X
PG2		X	X	X	X	X
PG4		X	X	X	X	X
PG5		X	X	X	X	X
PG6			X	X	X	X

PG Seal Fitting Dimensions		Dimensions						
Flange	Type	Tube OD	D Diameter		Overall Length A-Cap		Overall Length B-Cap	
			IN	MM	IN	MM	IN	MM
SFA05W	MPG	1/2" & 3/4"	0.98	24.9	1.19	30.2	1.56	39.7
SFA10W	MPG	1" & 1-1/2"	1.98	50.3	1.19	30.2	1.56	39.7
	PG2	1" & 1-1/2"	1.98	50.3	2.00	50.8	2.63	66.8
	PG4	1" & 1-1/2"	1.98	50.3	2.50	63.5	3.25	82.6
	PG5	1" & 1-1/2"	1.98	50.3	2.88	73.0	3.63	92.1
SFA20W	MPG	2"	2.52	64.0	1.19	30.2	1.56	39.7
	PG2	2"	2.52	64.0	2.00	50.8	2.63	66.8
	PG4	2"	2.52	64.0	2.56	65.0	3.31	84.1
	PG5	2"	2.52	64.0	2.88	73.0	3.63	92.1
	PG6	2"	2.52	64.0	3.50	88.9	4.50	114.3
	SFA25W	MPG	2-1/2"	3.05	77.5	1.19	30.2	1.56
SFA25W	PG2	2-1/2"	3.05	77.5	2.00	50.8	2.63	66.8
	PG4	2-1/2"	3.05	77.5	2.56	65.0	3.31	84.1
	PG5	2-1/2"	3.05	77.5	2.88	73.0	3.63	92.1
	PG6	2-1/2"	3.05	77.5	3.50	88.9	4.50	114.3
	SFA30W	MPG	3"	3.58	90.9	1.19	30.2	1.56
SFA30W	PG2	3"	3.58	90.9	2.00	50.8	2.63	66.8
	PG4	3"	3.58	90.9	2.56	65.0	3.31	84.1
	PG5	3"	3.58	90.9	2.88	73.0	3.63	92.1
	PG6	3"	3.58	90.9	3.50	88.9	4.50	114.3
SFA40W	MPG	4"	4.68	119.0	1.19	30.2	1.56	39.7
	PG2	4"	4.68	119.0	2.00	50.8	2.63	66.8
	PG4	4"	4.68	119.0	2.56	65.0	3.31	84.1
	PG5	4"	4.68	119.0	2.88	73.0	3.63	92.1
	PG6	4"	4.68	119.0	3.50	88.9	4.50	114.3



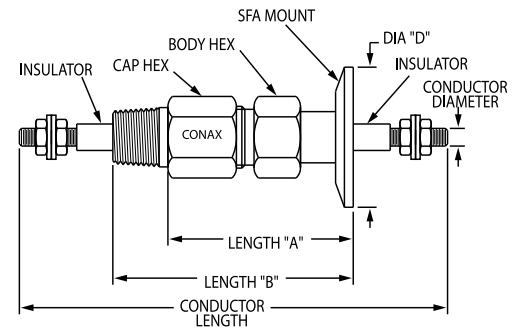
EG Seal Feedthrough Flange Selection Guide

Part Number Tube OD	SFA05 1/2 & 3/4	SFA10 1 & 1-1/2	SFA20 2	SFA25 2-1/2	SFA30 3	SFA40 4
EG-093	X	X	X	X	X	X
EG-125		X	X	X	X	X
EG-187		X	X	X	X	X
EG-250		X	X	X	X	X
EG-312		X	X	X	X	X
EG-375		X	X	X	X	X
EG-500		X	X	X	X	X
EG-750			X	X	X	X

EG Seal Feedthrough Dimensions

Flange	Type	Tube OD	Dimensions							
			Thickness		D Diameter		Overall Length A-Cap		Overall Length B-Cap	
			IN	MM	IN	MM	IN	MM	IN	MM
SFA05	EG-093	1/2" & 3/4"	0.19	4.7	0.98	24.9	1.38	35.1	1.75	44.4
SFA10	EG-093	1" & 1-1/2"	0.25	6.4	1.98	50.3	1.38	35.1	1.75	44.4
	EG-125/187	1" & 1-1/2"	0.25	6.4	1.98	50.3	2.00	50.8	2.63	66.8
	EG-250/312	1" & 1-1/2"	0.25	6.4	1.98	50.3	2.56	64.5	3.38	85.9
	EG-375/500	1" & 1-1/2"	0.25	6.4	1.98	50.3	3.31	84.1	4.06	103.1
SFA20	EG-093	2"	0.25	6.4	2.52	64.0	1.38	35.1	1.75	44.4
	EG-125/187	2"	0.25	6.4	2.52	64.0	2.00	50.8	2.63	66.8
	EG-250/312	2"	0.25	6.4	2.52	64.0	2.56	64.5	3.38	85.9
	EG-375/500	2"	0.25	6.4	2.52	64.0	3.31	84.1	4.06	103.1
	EG-750	2"	0.25	6.4	2.52	64.0	5.00	127.0	N/O	N/O
SFA25	EG-093	2-1/2"	0.25	6.4	3.05	77.5	1.38	35.1	1.75	44.4
	EG-125/187	2-1/2"	0.25	6.4	3.05	77.5	2.00	50.8	2.63	66.8
	EG-250/312	2-1/2"	0.25	6.4	3.05	77.5	2.56	64.5	3.38	85.9
	EG-375/500	2-1/2"	0.25	6.4	3.05	77.5	3.31	84.1	4.06	103.1
	EG-750	2-1/2"	0.25	6.4	3.05	77.5	5.00	127.0	N/O	N/O
SFA30	EG-093	3"	0.25	6.4	3.58	90.9	1.38	35.1	1.75	44.4
	EG-125/187	3"	0.25	6.4	3.58	90.9	2.00	50.8	2.63	66.8
	EG-250/312	3"	0.25	6.4	3.58	90.9	2.56	64.5	3.38	85.9
	EG-375/500	3"	0.25	6.4	3.58	90.9	3.31	84.1	4.06	103.1
	EG-750	3"	0.25	6.4	3.58	90.9	5.00	127.0	N/O	N/O
SFA40	EG-093	4"	0.25	6.4	4.68	119.0	1.38	35.1	1.75	44.4
	EG-125/187	4"	0.25	6.4	4.68	119.0	2.00	50.8	2.63	66.8
	EG-250/312	4"	0.25	6.4	4.68	119.0	2.56	64.5	3.38	85.9
	EG-375/500	4"	0.25	6.4	4.68	119.0	3.31	84.1	4.06	103.1
	EG-750	4"	0.25	6.4	4.68	119.0	5.00	127.0	N/O	N/O

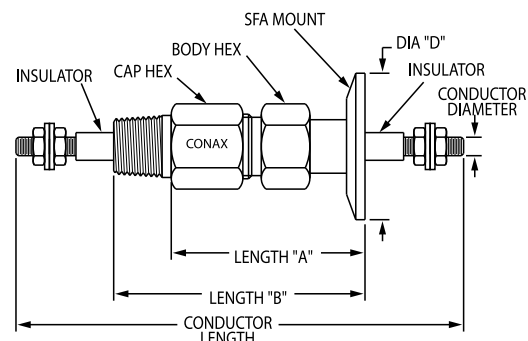
N/O = Not Offered.



EGT Seal Feedthrough Flange Selection Guide						
Part Number Tube OD	SFA05 1/2 & 3/4	SFA10 1 & 1-1/2	SFA20 2	SFA25 2-1/2	SFA30 3	SFA40 4
EGT-093	X	X	X	X	X	X
EGT-125		X	X	X	X	X
EGT-187		X	X	X	X	X
EGT-250		X	X	X	X	X
EGT-375		X	X	X	X	X
EGT-500		X	X	X	X	X
EGT-750			X	X	X	X

Note: EGT-1000 is not offered with SFA flange mount.

EGT Seal Feedthrough Dimensions		Dimensions						
Flange	Type	Tube OD	D Diameter		Overall Length A-Cap		Overall Length B-Cap	
			IN	MM	IN	MM	IN	MM
SFA05	EGT-093	1/2" & 3/4"	0.98	24.9	1.19	30.2	1.56	39.7
	EGT-093	1" & 1-1/2"	1.98	50.3	1.19	30.2	1.56	39.7
SFA10	EGT-125	1" & 1-1/2"	1.98	50.3	2.00	50.8	2.63	66.8
	EGT-187/250	1" & 1-1/2"	1.98	50.3	2.56	64.5	3.31	84.1
	EGT-375/500	1" & 1-1/2"	1.98	50.3	2.88	73.0	3.63	92.1
SFA20	EGT-093	2"	2.52	64.0	1.19	30.2	1.56	39.7
	EGT-125	2"	2.52	64.0	2.00	50.8	2.63	66.8
	EGT-187/250	2"	2.52	64.0	2.56	64.5	3.31	84.1
	EGT-375/500	2"	2.52	64.0	2.88	73.0	3.63	92.1
	EGT-750	2"	2.52	64.0	3.50	88.9	4.50	114.3
SFA25	EGT-093	2-1/2"	3.05	77.5	1.19	30.2	1.56	39.7
	EGT-125	2-1/2"	3.05	77.5	2.00	50.8	2.63	66.8
	EGT-187/250	2-1/2"	3.05	77.5	2.56	64.5	3.31	84.1
	EGT-375/500	2-1/2"	3.05	77.5	2.88	73.0	3.63	92.1
	EGT-750	2-1/2"	3.05	77.5	3.50	88.9	4.50	114.3
SFA30	EGT-093	3"	3.58	90.9	1.19	30.2	1.56	39.7
	EGT-125	3"	3.58	90.9	2.00	50.8	2.63	66.8
	EGT-187/250	3"	3.58	90.9	2.56	64.5	3.31	84.1
	EGT-375/500	3"	3.58	90.9	2.88	73.0	3.63	92.1
	EGT-750	3"	3.58	90.9	3.50	88.9	4.50	114.3
SFA40	EGT-093	4"	4.68	119.0	1.19	30.2	1.56	39.7
	EGT-125	4"	4.68	119.0	2.00	50.8	2.63	66.8
	EGT-187/250	4"	4.68	119.0	2.56	64.5	3.31	84.1
	EGT-375/500	4"	4.68	119.0	2.88	73.0	3.63	92.1
	EGT-750	4"	4.68	119.0	3.50	88.9	4.50	114.3

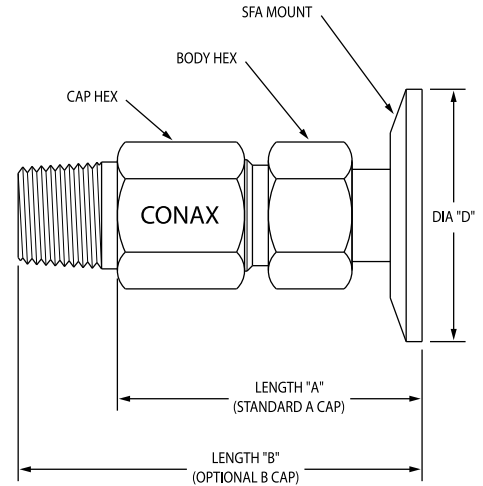


MHC Seal Fitting Flange Selection Guide

Part Number Tube OD	SFA05 1/2 & 3/4	SFA10 1 & 1-1/2	SFA20 2	SFA25 2-1/2	SFA30 3	SFA40 4
MHC1	X	X	X	X	X	X
MHC2		X	X	X	X	X
MHC4		X	X	X	X	X
MHC5		X	X	X	X	X

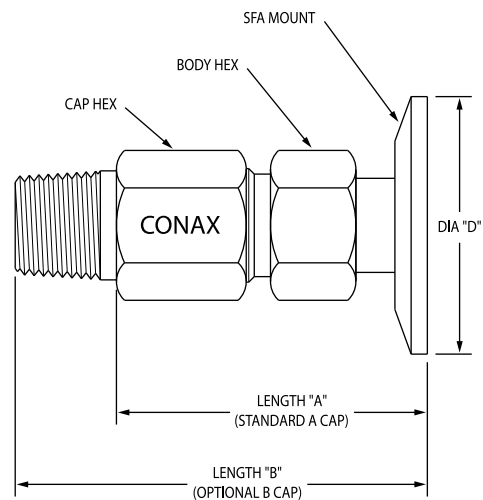
MHC Seal Fitting Dimensions

Flange	Type	Holes	Tube OD	D Diameter		Overall Length A-Cap		Overall Length B-Cap	
				IN	MM	IN	MM	IN	MM
SFA05	MHC1-020/032	2,4	1/2" & 3/4"	0.98	24.9	1.38	35.1	1.75	44.4
	MHC1-062	1	1/2" & 3/4"	0.98	24.9	1.38	35.1	1.75	44.4
SFA10	MHC1-020/032	2,4	1" & 1-1/2"	1.98	50.3	1.38	35.1	1.75	44.4
	MHC1-062	1	1" & 1-1/2"	1.98	50.3	1.38	35.1	1.75	44.4
	MHC2-020/032	2,4	1" & 1-1/2"	1.98	50.3	2.00	50.8	2.63	66.8
	MHC2-062	1	1" & 1-1/2"	1.98	50.3	2.00	50.8	2.63	66.8
	MHC4-032/040	6,8	1" & 1-1/2"	1.98	50.3	2.63	66.8	3.38	85.9
	MHC4-062	2,3,4	1" & 1-1/2"	1.98	50.3	2.63	66.8	3.38	85.9
	MHC5-032	16	1" & 1-1/2"	1.98	50.3	2.88	73.2	3.63	92.2
	MHC5-062	6,8	1" & 1-1/2"	1.98	50.3	2.88	73.2	3.63	92.2
	MHC5-125	2	1" & 1-1/2"	1.98	50.3	2.88	73.2	3.63	92.2
	SFA20	MHC1-020/032	2,4	2"	2.52	64.0	1.38	35.1	1.75
MHC1-062		1	2"	2.52	64.0	1.38	35.1	1.75	44.4
MHC2-020/032		2,4	2"	2.52	64.0	2.00	50.8	2.63	66.8
MHC2-062		1	2"	2.52	64.0	2.00	50.8	2.63	66.8
MHC4-032/040		6,8	2"	2.52	64.0	2.63	66.8	3.38	85.9
MHC4-062		2,3,4	2"	2.52	64.0	2.63	66.8	3.38	85.9
MHC5-032		16	2"	2.52	64.0	2.88	73.2	3.63	92.2
MHC5-062		6,8	2"	2.52	64.0	2.88	73.2	3.63	92.2
MHC5-125		2	2"	2.52	64.0	2.88	73.2	3.63	92.2
SFA25		MHC1-020/032	2,4	2-1/2"	3.05	77.5	1.38	35.1	1.75
	MHC1-062	1	2-1/2"	3.05	77.5	1.38	35.1	1.75	44.4
	MHC2-020/032	2,4	2-1/2"	3.05	77.5	2.00	50.8	2.63	66.8
	MHC2-062	1	2-1/2"	3.05	77.5	2.00	50.8	2.63	66.8
	MHC4-032/040	6,8	2-1/2"	3.05	77.5	2.63	66.8	3.38	85.9
	MHC4-062	2,3,4	2-1/2"	3.05	77.5	2.63	66.8	3.38	85.9
	MHC5-032	16	2-1/2"	3.05	77.5	2.88	73.2	3.63	92.2
	MHC5-062	6,8	2-1/2"	3.05	77.5	2.88	73.2	3.63	92.2
	MHC5-125	2	2-1/2"	3.05	77.5	2.88	73.2	3.63	92.2
	SFA30	MHC1-020/032	2,4	3"	3.58	90.9	1.38	35.1	1.75
MHC1-062		1	3"	3.58	90.9	1.38	35.1	1.75	44.4
MHC2-020/032		2,4	3"	3.58	90.9	2.00	50.8	2.63	66.8
MHC2-062		1	3"	3.58	90.9	2.00	50.8	2.63	66.8
MHC4-032/040		6,8	3"	3.58	90.9	2.63	66.8	3.38	85.9
MHC4-062		2,3,4	3"	3.58	90.9	2.63	66.8	3.38	85.9
MHC5-032		16	3"	3.58	90.9	2.88	73.2	3.63	92.2
MHC5-062		6,8	3"	3.58	90.9	2.88	73.2	3.63	92.2
MHC5-125		2	3"	3.58	90.9	2.88	73.2	3.63	92.2
SFA40		MHC1-020/032	2,4	4"	4.68	119.0	1.38	35.1	1.75
	MHC1-062	1	4"	4.68	119.0	1.38	35.1	1.75	44.4
	MHC2-020/032	2,4	4"	4.68	119.0	2.00	50.8	2.63	66.8
	MHC2-062	1	4"	4.68	119.0	2.00	50.8	2.63	66.8
	MHC4-032/040	6,8	4"	4.68	119.0	2.63	66.8	3.38	85.9
	MHC4-062	2,3,4	4"	4.68	119.0	2.63	66.8	3.38	85.9
	MHC5-032	16	4"	4.68	119.0	2.88	73.2	3.63	92.2
	MHC5-062	6,8	4"	4.68	119.0	2.88	73.2	3.63	92.2
	MHC5-125	2	4"	4.68	119.0	2.88	73.2	3.63	92.2



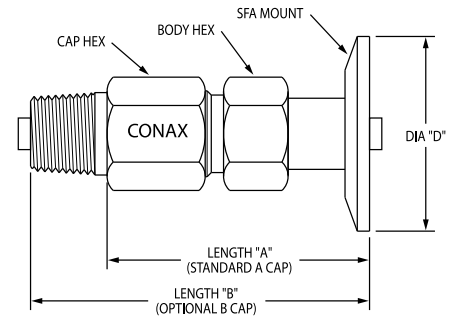
MHM Seal Fitting Flange Selection Guide					
Part Number Tube OD	SFA10 1 & 1-1/2	SFA20 2	SFA25 2-1/2	SFA30 3	SFA40 4
MHM2	X	X	X	X	X
MHM4	X	X	X	X	X
MHM5	X	X	X	X	X
MHM6		X	X	X	X

MHM Seal Fitting Dimensions		Dimensions						
Flange	Type	Tube OD	D Diameter		Overall Length A-Cap		Overall Length B-Cap	
			IN	MM	IN	MM	IN	MM
SFA10	MHM2	1" & 1-1/2"	1.98	50.3	2.00	50.8	2.63	66.8
	MHM4	1" & 1-1/2"	1.98	50.3	2.56	65.0	3.38	85.6
	MHM5	1" & 1-1/2"	1.98	50.3	3.31	84.1	4.19	106.0
SFA20	MHM2	2"	2.52	64.0	2.00	50.8	2.63	66.8
	MHM4	2"	2.52	64.0	2.56	65.0	3.38	85.6
	MHM5	2"	2.52	64.0	3.31	84.1	4.19	106.0
SFA25	MHM6	2"	2.52	64.0	3.75	95.3	5.00	127.0
	MHM2	2-1/2"	3.05	77.5	2.00	50.8	2.63	66.8
	MHM4	2-1/2"	3.05	77.5	2.56	65.0	3.38	85.6
SFA30	MHM5	2-1/2"	3.05	77.5	3.31	84.1	4.19	106.0
	MHM6	2-1/2"	3.05	77.5	3.75	95.3	5.00	127.0
	MHM2	3"	3.58	90.9	2.00	50.8	2.63	66.8
SFA40	MHM4	3"	3.58	90.9	2.56	65.0	3.38	85.6
	MHM5	3"	3.58	90.9	3.31	84.1	4.19	106.0
	MHM6	3"	3.58	90.9	3.75	95.3	5.00	127.0
SFA40	MHM2	4"	4.68	119.0	2.00	50.8	2.63	66.8
	MHM4	4"	4.68	119.0	2.56	65.0	3.38	85.6
	MHM5	4"	4.68	119.0	3.31	84.1	4.19	106.0
	MHM6	4"	4.68	119.0	3.75	95.3	5.00	127.0



PL Seal Feedthrough Flange Selection Guide

Part Number Tube OD	Number of Wires	SFA05 1/2 & 3/4	SFA10 1 & 1-1/2	SFA20 2	SFA25 2-1/2	SFA30 3	SFA40 4
PL-20	2-18		X	X	X	X	X
PL-18	1	X	X	X	X	X	X
PL-18	2-12		X	X	X	X	X
PL-16	2-12		X	X	X	X	X
PL-14	1	X	X	X	X	X	X
PL-14	2-12		X	X	X	X	X
PL-12	2-6		X	X	X	X	X
PL-10	2-4		X	X	X	X	X
PL-8	2,3		X	X	X	X	X



PL Seal Feedthrough Dimensions

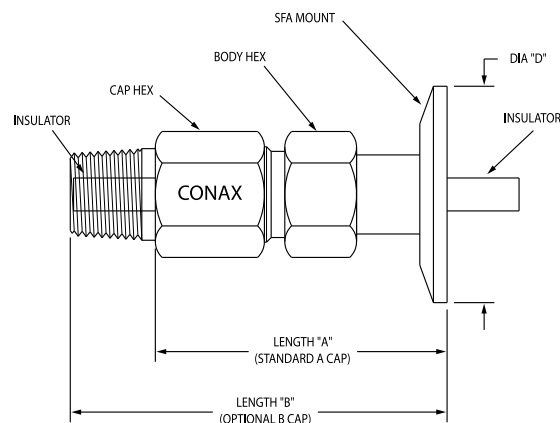
Flange	Type	Holes	Tube OD	Dimensions						
				D Diameter		Overall Length A-Cap		Overall Length B-Cap		
				IN	MM	IN	MM	IN	MM	
SFA05	PL-18/14	1	1/2" & 3/4"	0.98	24.9	1.38	35.1	1.75	44.5	
SFA10	PL-18/14	1	1" & 1-1/2"	1.98	50.3	1.38	35.1	1.75	44.5	
	PL-20/18/16	2,3,4	1" & 1-1/2"	1.98	50.3	2.63	66.8	3.38	85.9	
	PL-14	2	1" & 1-1/2"	1.98	50.3	2.63	66.8	3.38	85.9	
	PL-14	3,4	1" & 1-1/2"	1.98	50.3	2.88	73.2	3.63	92.2	
	PL-20/18/16/14	6,8	1" & 1-1/2"	1.98	50.3	2.88	73.2	3.63	92.2	
	PL-20	18	1" & 1-1/2"	1.98	50.3	2.88	73.2	3.63	92.2	
	PL-18/16/14	10,12	1" & 1-1/2"	1.98	50.3	2.88	73.2	3.63	92.2	
	PL-12	2,3,4,6	1" & 1-1/2"	1.98	50.3	2.88	73.2	3.63	92.2	
	PL-10	2,3,4	1" & 1-1/2"	1.98	50.3	2.88	73.2	3.63	92.2	
	PL-8	2	1" & 1-1/2"	1.98	50.3	2.88	73.2	3.63	92.2	
	PL-8	3	1" & 1-1/2"	1.98	50.3	2.88	73.2	3.63	92.2	
	SFA20	PL-18/14	1	2"	2.52	64.0	1.38	35.1	1.75	44.5
		PL-20/18/16	2,3,4	2"	2.52	64.0	2.63	66.8	3.38	85.9
		PL-14	2	2"	2.52	64.0	2.63	66.8	3.38	85.9
PL-14		3,4	2"	2.52	64.0	2.88	73.2	3.63	92.2	
PL-20/18/16/14		6,8	2"	2.52	64.0	2.88	73.2	3.63	92.2	
PL-20		18	2"	2.52	64.0	2.88	73.2	3.63	92.2	
PL-18/16/14		10,12	2"	2.52	64.0	2.88	73.2	3.63	92.2	
PL-12		2,3,4,6	2"	2.52	64.0	2.88	73.2	3.63	92.2	
PL-10		2,3,4	2"	2.52	64.0	2.88	73.2	3.63	92.2	
PL-8		2	2"	2.52	64.0	2.88	73.2	3.63	92.2	
PL-8		3	2"	2.52	64.0	2.88	73.2	3.63	92.2	
SFA25		PL-18/14	1	2-1/2"	3.05	77.5	1.38	35.1	1.75	44.5
		PL-20/18/16	2,3,4	2-1/2"	3.05	77.5	2.63	66.8	3.38	85.9
		PL-14	2	2-1/2"	3.05	77.5	2.63	66.8	3.38	85.9
	PL-14	3,4	2-1/2"	3.05	77.5	2.88	73.2	3.63	92.2	
	PL-20/18/16/14	6,8	2-1/2"	3.05	77.5	2.88	73.2	3.63	92.2	
	PL-20	18	2-1/2"	3.05	77.5	2.88	73.2	3.63	92.2	
	PL-18/16/14	10,12	2-1/2"	3.05	77.5	2.88	73.2	3.63	92.2	
	PL-12	2,3,4,6	2-1/2"	3.05	77.5	2.88	73.2	3.63	92.2	
	PL-10	2,3,4	2-1/2"	3.05	77.5	2.88	73.2	3.63	92.2	
	PL-8	2	2-1/2"	3.05	77.5	2.88	73.2	3.63	92.2	
	PL-8	3	2-1/2"	3.05	77.5	2.88	73.2	3.63	92.2	
	SFA30	PL-18/14	1	3"	3.58	90.9	1.38	35.1	1.75	44.5
		PL-20/18/16	2,3,4	3"	3.58	90.9	2.63	66.8	3.38	85.9
		PL-14	2	3"	3.58	90.9	2.63	66.8	3.38	85.9
PL-14		3,4	3"	3.58	90.9	2.88	73.2	3.63	92.2	
PL-20/18/16/14		6,8	3"	3.58	90.9	2.88	73.2	3.63	92.2	
PL-20		18	3"	3.58	90.9	2.88	73.2	3.63	92.2	
PL-18/16/14		10,12	3"	3.58	90.9	2.88	73.2	3.63	92.2	
PL-12		2,3,4,6	3"	3.58	90.9	2.88	73.2	3.63	92.2	
PL-10		2,3,4	3"	3.58	90.9	2.88	73.2	3.63	92.2	
PL-8		2	3"	3.58	90.9	2.88	73.2	3.63	92.2	
PL-8		3	3"	3.58	90.9	2.88	73.2	3.63	92.2	
SFA40		PL-18/14	1	4"	4.68	119.0	1.38	35.1	1.75	44.5
		PL-20/18/16	2,3,4	4"	4.68	119.0	2.63	66.8	3.38	85.9
		PL-14	2	4"	4.68	119.0	2.63	66.8	3.38	85.9
	PL-14	3,4	4"	4.68	119.0	2.88	73.2	3.63	92.2	
	PL-20/18/16/14	6,8	4"	4.68	119.0	2.88	73.2	3.63	92.2	
	PL-20	18	4"	4.68	119.0	2.88	73.2	3.63	92.2	
	PL-18/16/14	10,12	4"	4.68	119.0	2.88	73.2	3.63	92.2	
	PL-12	2,3,4,6	4"	4.68	119.0	2.88	73.2	3.63	92.2	
	PL-10	2,3,4	4"	4.68	119.0	2.88	73.2	3.63	92.2	
	PL-8	2	4"	4.68	119.0	2.88	73.2	3.63	92.2	
	PL-8	3	4"	4.68	119.0	2.88	73.2	3.63	92.2	

TG Seal Fitting Flange Selection Guide

Part Number Tube OD	Holes	SFA05 1/2 & 3/4	SFA10 1 & 1-1/2	SFA20 2	SFA25 2-1/2	SFA30 3	SFA40 4
MTG-24	2,4	X	X	X	X	X	X
MTG-20	2,4	X	X	X	X	X	X
MTG-14	1	X	X	X	X	X	X
TG-24	2,4		X	X	X	X	X
TG-20	2,4		X	X	X	X	X
TG-20	6,8		X	X	X	X	X
TG-20	16		X	X	X	X	X
TG-18	6,8		X	X	X	X	X
TG-14	1		X	X	X	X	X
TG-14	2,3,4		X	X	X	X	X
TG-14	6,8		X	X	X	X	X
TG-8	2		X	X	X	X	X

TG Seal Fitting Dimensions

Flange	Type	Holes	Tube OD	Dimensions					
				D Diameter		Overall Length A-Cap		Overall Length B-Cap	
				IN	MM	IN	MM	IN	MM
SFA05	MTG-24/20	2,4	1/2" & 3/4"	0.98	24.9	1.38	35.1	1.75	44.4
	MTG-14	1	1/2" & 3/4"	0.98	24.9	1.38	35.1	1.75	44.4
SFA10	MTG-24/20	2,4	1" & 1-1/2"	1.98	50.3	1.38	35.1	1.75	44.4
	MTG-14	1	1" & 1-1/2"	1.98	50.3	1.38	35.1	1.75	44.4
	TG-24/20	2,4	1" & 1-1/2"	1.98	50.3	2.00	50.8	2.63	66.8
	TG-14	1	1" & 1-1/2"	1.98	50.3	2.00	50.8	2.63	66.8
	TG-20/18	6,8	1" & 1-1/2"	1.98	50.3	2.63	66.8	3.38	85.9
	TG-14	2,3,4	1" & 1-1/2"	1.98	50.3	2.63	66.8	3.38	85.9
	TG-20	16	1" & 1-1/2"	1.98	50.3	2.88	73.2	3.63	92.2
	TG-14	6,8	1" & 1-1/2"	1.98	50.3	2.88	73.2	3.63	92.2
SFA20	MTG-24/20	2,4	2"	2.52	64.0	1.38	35.1	1.75	44.4
	MTG-14	1	2"	2.52	64.0	1.38	35.1	1.75	44.4
	TG-24/20	2,4	2"	2.52	64.0	2.00	50.8	2.63	66.8
	TG-14	1	2"	2.52	64.0	2.00	50.8	2.63	66.8
	TG-20/18	6,8	2"	2.52	64.0	2.63	66.8	3.38	85.9
	TG-14	2,3,4	2"	2.52	64.0	2.63	66.8	3.38	85.9
	TG-20	16	2"	2.52	64.0	2.88	73.2	3.63	92.2
	TG-14	6,8	2"	2.52	64.0	2.88	73.2	3.63	92.2
SFA25	MTG-24/20	2,4	2-1/2"	3.05	77.5	1.38	35.1	1.75	44.4
	MTG-14	1	2-1/2"	3.05	77.5	1.38	35.1	1.75	44.4
	TG-24/20	2,4	2-1/2"	3.05	77.5	2.00	50.8	2.63	66.8
	TG-14	1	2-1/2"	3.05	77.5	2.00	50.8	2.63	66.8
	TG-20/18	6,8	2-1/2"	3.05	77.5	2.63	66.8	3.38	85.9
	TG-14	2,3,4	2-1/2"	3.05	77.5	2.63	66.8	3.38	85.9
	TG-20	16	2-1/2"	3.05	77.5	2.88	73.2	3.63	92.2
	TG-14	6,8	2-1/2"	3.05	77.5	2.88	73.2	3.63	92.2
SFA30	MTG-24/20	2,4	3"	3.58	90.9	1.38	35.1	1.75	44.4
	MTG-14	1	3"	3.58	90.9	1.38	35.1	1.75	44.4
	TG-24/20	2,4	3"	3.58	90.9	2.00	50.8	2.63	66.8
	TG-14	1	3"	3.58	90.9	2.00	50.8	2.63	66.8
	TG-20/18	6,8	3"	3.58	90.9	2.63	66.8	3.38	85.9
	TG-14	2,3,4	3"	3.58	90.9	2.63	66.8	3.38	85.9
	TG-20	16	3"	3.58	90.9	2.88	73.2	3.63	92.2
	TG-14	6,8	3"	3.58	90.9	2.88	73.2	3.63	92.2
SFA40	MTG-24/20	2,4	4"	4.68	119.0	1.38	35.1	1.75	44.4
	MTG-14	1	4"	4.68	119.0	1.38	35.1	1.75	44.4
	TG-24/20	2,4	4"	4.68	119.0	2.00	50.8	2.63	66.8
	TG-14	1	4"	4.68	119.0	2.00	50.8	2.63	66.8
	TG-20/18	6,8	4"	4.68	119.0	2.63	66.8	3.38	85.9
	TG-14	2,3,4	4"	4.68	119.0	2.63	66.8	3.38	85.9
	TG-20	16	4"	4.68	119.0	2.88	73.2	3.63	92.2
	TG-14	6,8	4"	4.68	119.0	2.88	73.2	3.63	92.2
TG-8	2	4"	4.68	119.0	2.88	73.2	3.63	92.2	



ASME/ANSI Raised-face Flange Mount

Conax Technologies' seal fittings can be welded or threaded to ASME B16.5 flanges to create a rugged mounting for environmental sealing and/or securing the position of instrumentation sensor probes. Use of flanges eliminates the need to weld mounting adapters to the pipe or vessel. Common applications include petrochemical processing and distribution, industrial furnaces, bulk cargo carriers, gas sampling coupons and gas storage silos.

Conax Technologies' ASME/ANSI flanges are constructed from 304 SST standard, 316 SST standard or carbon steel. Alternate materials and grades are available. Please consult factory. Bodies are constructed from 316L SST standard for welded assemblies or 303 SST standard for threaded fittings (316L SST is available as an option on threaded assemblies). Optional materials are available. See page 9 for details.

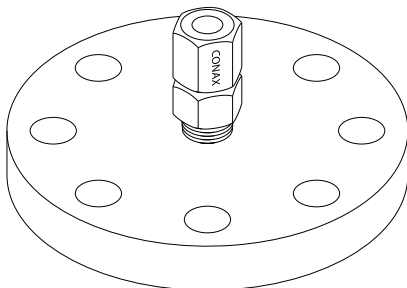
Single or multiple fittings may be attached to the flange. Multiple fittings may consist of multiple fittings of the same type or a combination of various Conax Technologies Seal Fitting types.



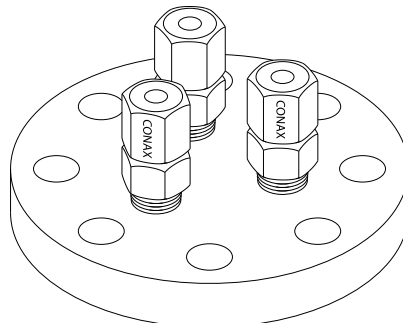
- Specifications are shown here for Class 150 and Class 300 flanges. Class 600 – Class 2500 flanges are also available. Please consult factory.
- Pressure ratings for flange/fitting combinations are determined by the lowest-rated element in the assembly (flange or fitting). Flange pressure ratings may decrease when assembled with multiple sealing assemblies.
- Flat-faced flanges are also available. Please consult factory.

Catalog Numbering System Incorporating a Flange: PG Fitting Example

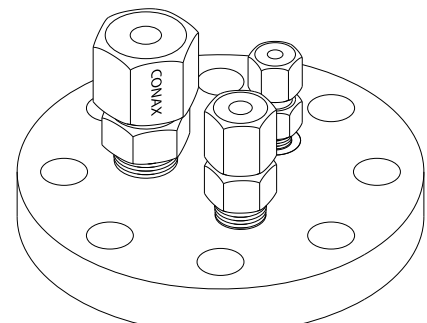
Conax Technologies incorporates a flange into its catalog numbering system by adding a parenthesis after the fitting type. Inside the parenthesis is the information describing the flange (highlighted in grey).



ASME/ANSI Flange with Single Fitting



ASME/ANSI Flange with Multiple Fittings (Same Size)



ASME/ANSI Flange with Multiple Fittings (Different Sizes)

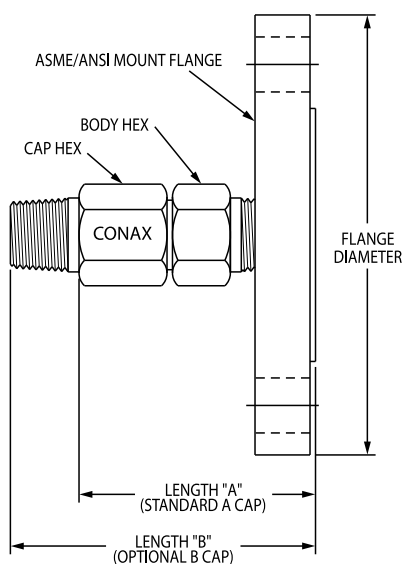
Note: Flange pressure ratings may decrease when assembled with multiple sealing assemblies.

ASME/ANSI Raised-Face Flange Selection Guide		Flange Thickness		Flange Diameter									
		IN	MM	IN	MM	1/8" NPT	1/4" NPT	1/2" NPT	3/4" NPT	1" NPT	1-1/4" NPT	1-1/2" NPT	2" NPT
RF14	1/2 - 150#	0.438	11.1	3.5"	88.9	X		X					
RF15	3/4 - 150#	0.500	12.7	3.875"	98.4	X			X				
RF16	1 - 150#	0.563	14.3	4.25"	108.0	X	X			X			
RF18	1-1/2 - 150#	0.688	17.5	5.0"	127.0	X	X	X	X			X	
RF19	2 - 150#	0.750	19.1	6.0"	152.4	X	X	X	X				X
RF111	3 - 150#	0.938	23.8	7.5"	190.5	X	X	X	X	X			
RF113	4 - 150#	0.938	23.8	9.0"	228.6	X	X	X	X	X	X		
RF114	5 - 150#	0.938	23.8	10.0"	254.0	X	X	X	X	X	X	X	
RF115	6 - 150#	1.000	25.4	11.0"	279.4	X	X	X	X	X	X	X	X
RF24	1/2 - 300#	0.563	14.3	3.75"	95.3	X	X	X					
RF25	3/4 - 300#	0.625	15.9	4.625"	117.5	X	X		X				
RF26	1 - 300#	0.688	17.5	4.875"	123.8	X	X	X	X	X			
RF28	1-1/2 - 300#	0.813	20.7	6.125"	155.6	X	X	X	X	X		X	
RF29	2 - 300#	0.875	22.2	6.5"	165.1	X	X	X	X	X			X
RF211	3 - 300#	1.125	28.6	8.25"	209.6	X	X	X	X	X			
RF213	4 - 300#	1.250	31.8	10.0"	254.0	X	X	X	X	X	X		
RF214	5 - 300#	1.375	34.9	11.0"	279.4	X	X	X	X	X	X	X	
RF215	6 - 300#	1.438	36.5	12.5"	317.5	X	X	X	X	X	X	X	X

Important! Determining the Length of an Assembly

Calculate the overall length of a compression seal joined to a flange by using this formula and the length of the thread engagement from the chart below.

Length "A" or "B" = Fitting Length + Flange Thickness - Thread Engagement



Example: PG Fitting with ASME/ANSI Raised Flange

ASME/ANSI Thread Engagement Chart		
NPT	IN	MM
1/16"	0.27	6.4
1/8"	0.27	6.4
1/4"	0.39	9.9
1/2"	0.53	13.5
3/4"	0.55	14.0
1"	0.66	16.8
1-1/4"	0.68	17.3
1-1/2"	0.68	17.3
2"	0.70	17.8

