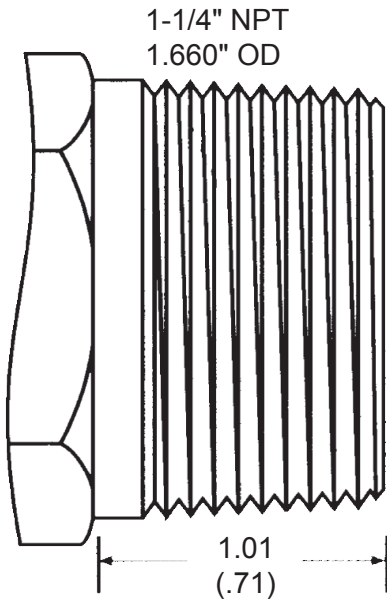


NPT PIPE THREAD SIZES

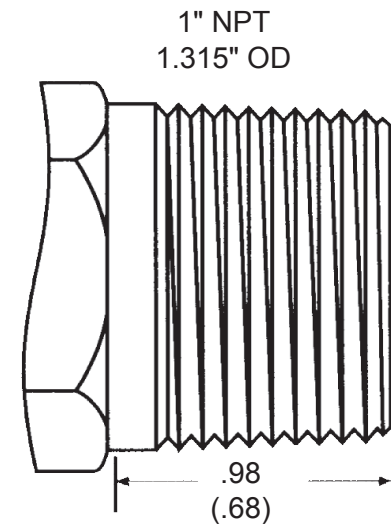
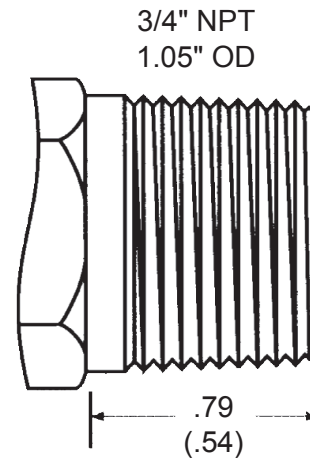
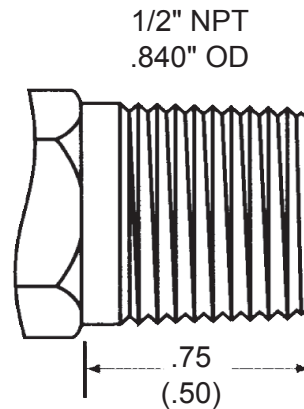
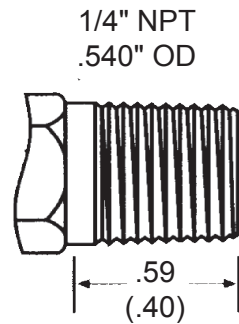
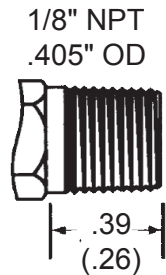
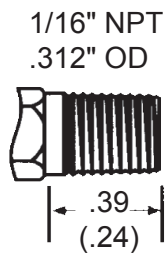


NOTES:

- Supplied pipe thread dimensions are reference only.
- Normal thread engagement shown in ().

VACCUUM RATING GUIDE
for all Conax Technologies Glands:

SEALANT TYPE	VACCUUM RATING
Neoprene	.005 microns (5x10-6 TORR)
Teflo	.005 microns (5x10-6 TORR)
Lava	not normally recommended, consult factory
Viton	.005 microns (5x10-6 TORR)
Grafoil	.005 microns (5x10-6 TORR)



2300 Walden Avenue • Buffalo, New York 14225