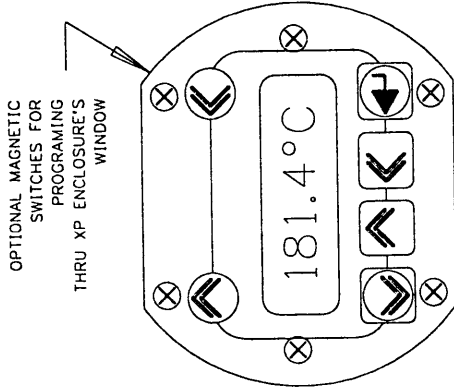
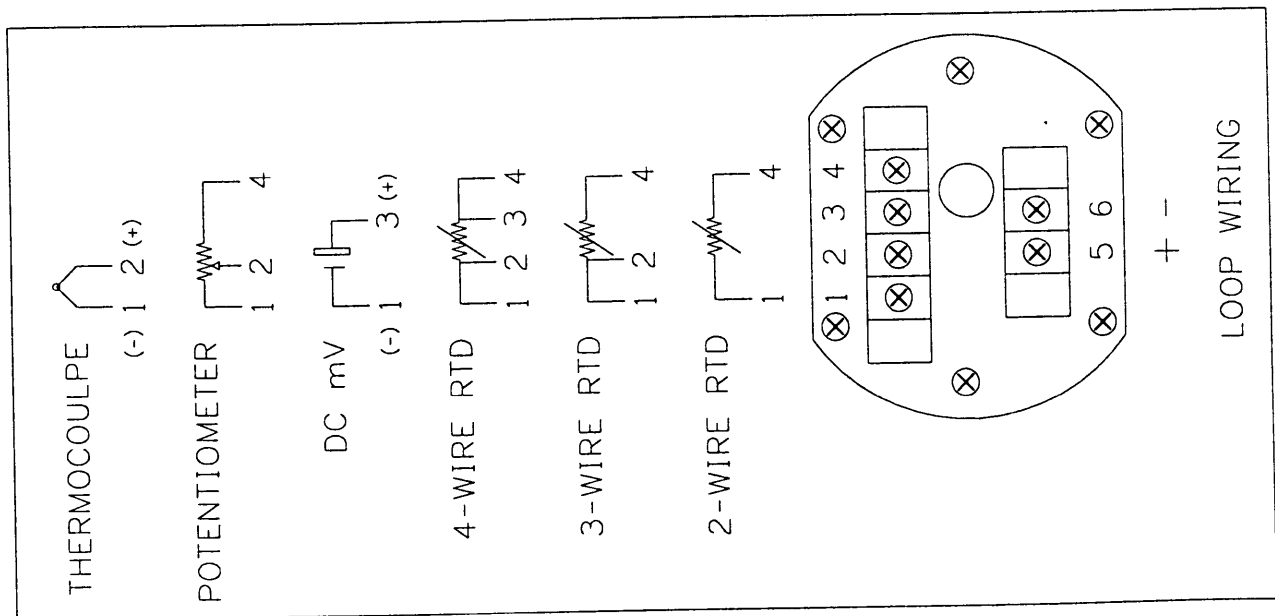


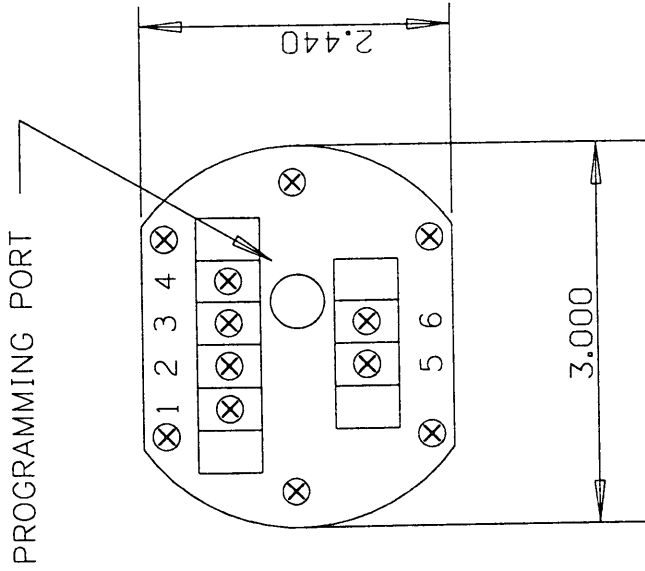
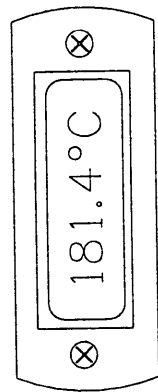


TSD 43.016
Rev. C
Appendix A

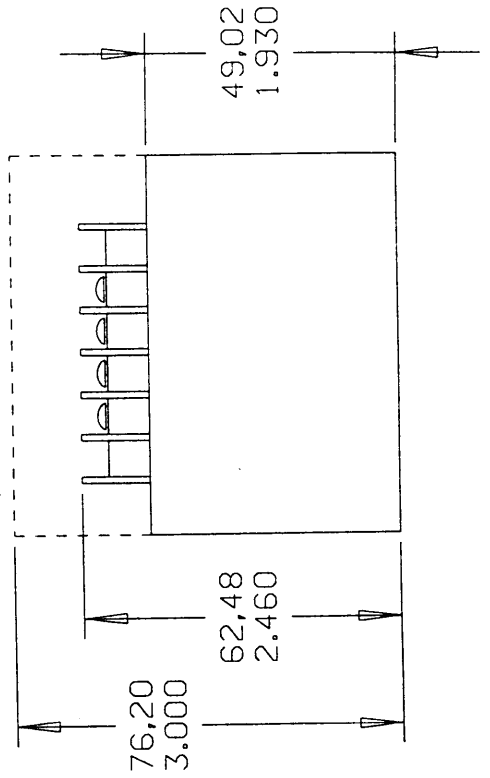
APPENDIX A
ILLUSTRATIONS

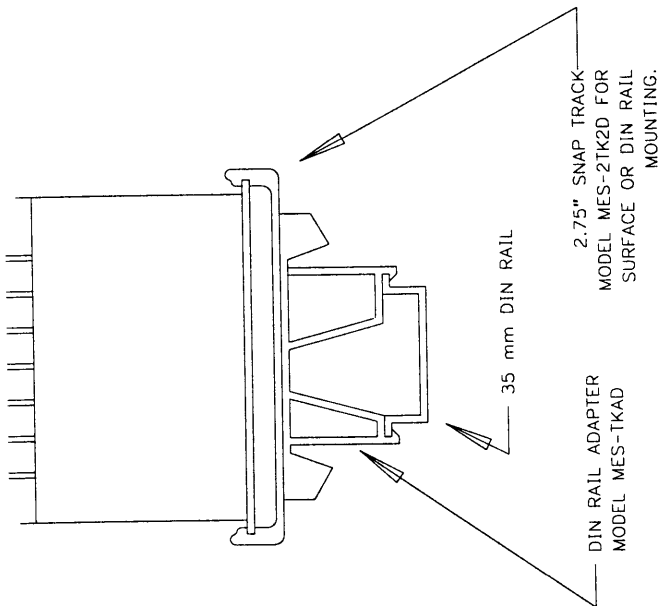


Optional Programmer with Display

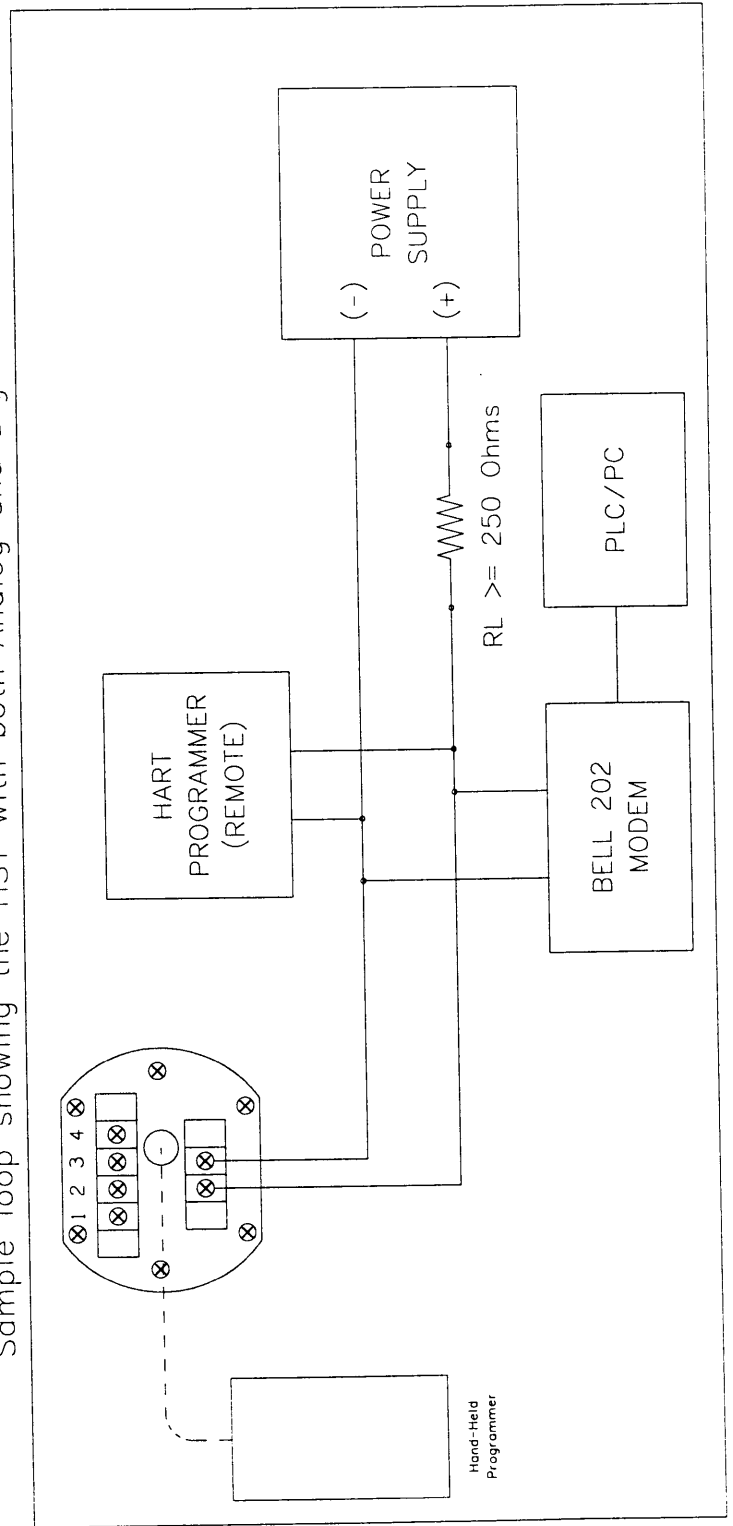


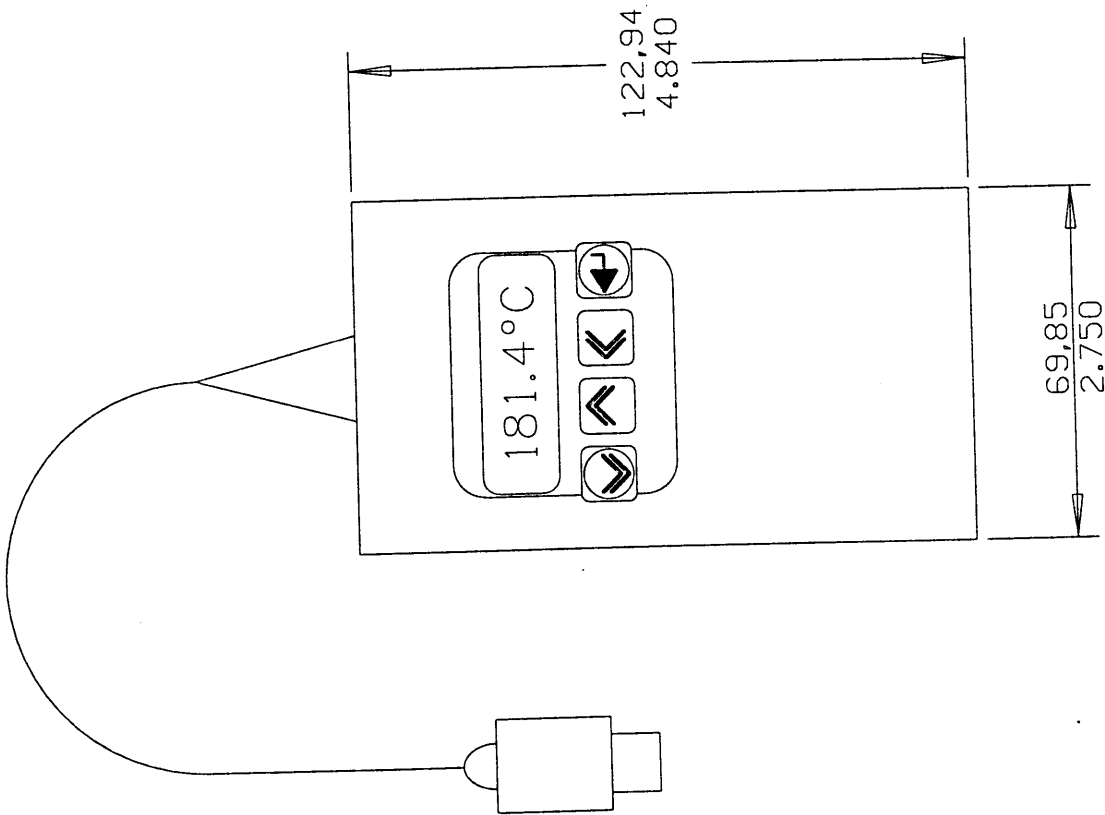
OPTIONAL PROGRAMMER With DISPLAY





Sample loop showing the HST with both Analog and Digital devices.





Hand-Held Programmer