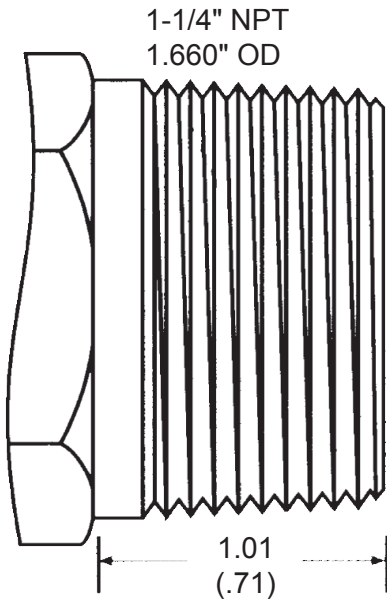


# NPT PIPE THREAD SIZES

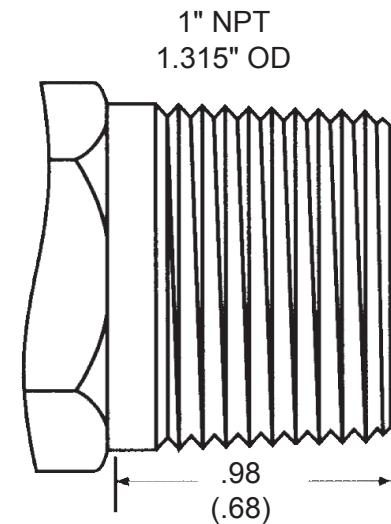
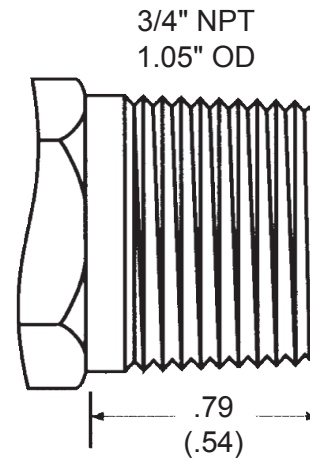
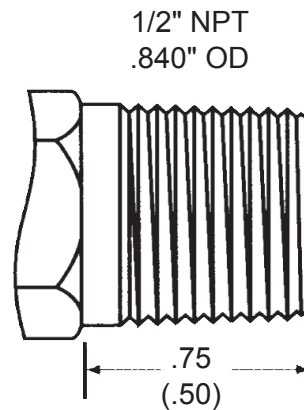
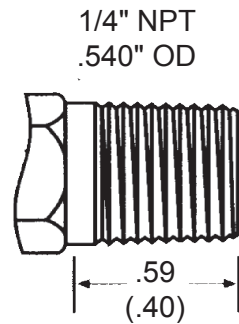
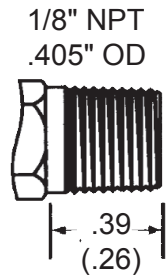
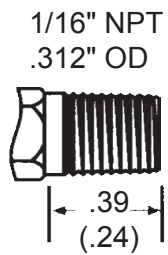


**NOTES:**

- Supplied pipe thread dimensions are reference only.
- Normal thread engagement shown in ( ).

**VACCUUM RATING GUIDE**  
for all Conax Technologies Glands:

| SEALANT TYPE | VACCUUM RATING                            |
|--------------|-------------------------------------------|
| Neoprene     | .005 microns (5x10 <sup>-6</sup> TORR)    |
| Teflon       | .005 microns (5x10 <sup>-6</sup> TORR)    |
| Lava         | not normally recommended, consult factory |
| Viton        | .005 microns (5x10 <sup>-6</sup> TORR)    |
| Grafoil      | .005 microns (5x10 <sup>-6</sup> TORR)    |



2300 Walden Avenue • Buffalo, New York 14225