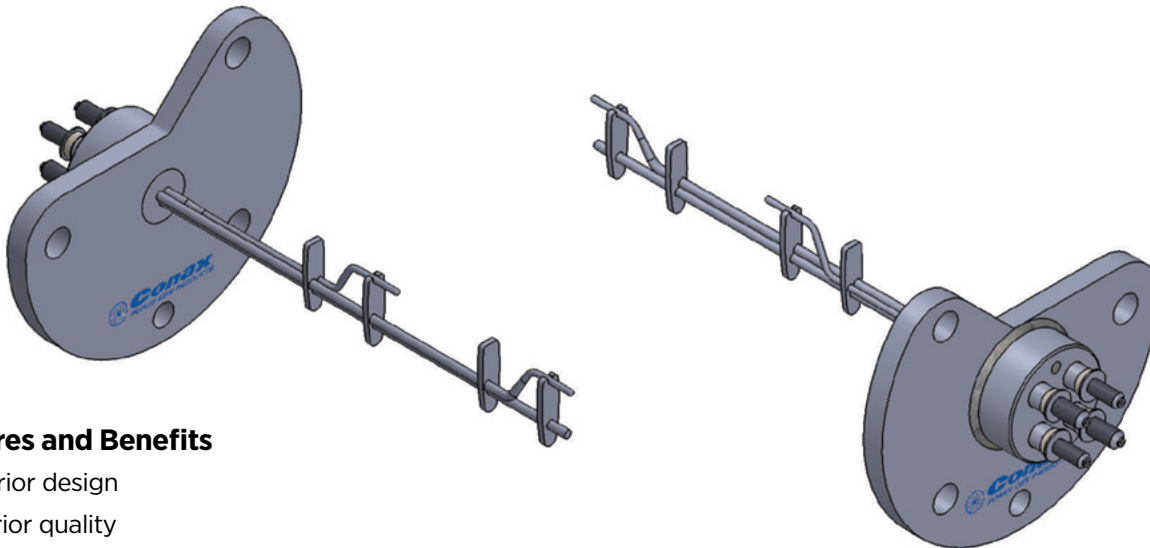


Exhaust Gas Thermocouples

for Pratt & Whitney FT8/GG8 Frame



Features and Benefits

- Superior design
- Superior quality
- Proven higher reliability than OEM sensors
- Hermetically sealed for high accuracy and long life
- Simple, quick installation saves time
- Interchangeable with OEM equipment—4 post connector adaptable to an existing cable harness
- Parts are usually in stock to provide quick turn around time

Improved Design—Superior Performance

Conax Technologies has designed an innovative and unique approach to exhaust gas temperature (EGT) sensors used on Pratt & Whitney FT8/GG8 frame turbines. The EGT sensor offered by Conax Technologies is a direct replacement for existing equipment that meets or exceeds OEM functionality and has proven to be highly reliable through field testing and validation.

The key enhancement of Conax Technologies' design is the use of two (2) dual thermocouple probes rather than four (4) single thermocouple probes.

Conax employs unique manufacturing techniques to create balanced loop resistance between all thermocouples. The result is a more robust and reliable design that offers the same two (2) circuit, four (4) point averaging temperature measurements as an OEM sensor with superior accuracy and reliability.

Another key feature of Conax Technologies' EGT is the four (4) post connector which was designed with interchangeability and long service life in mind.

Our EGT is interchangeable with all OEM four (4) post sensors and is adaptable to in-service cable harnesses. The connector is robustly designed, 100% hermetically sealed and uses high quality materials contributing to a long service life.

Technical Sales Support

Whether you are upgrading or replacing your exhaust thermocouples, Conax Technologies' Technical Team can help you solve your problems.

Call our inside Sales Team at **+1 716 684 4500** and you'll get the support you need to make the right choices.



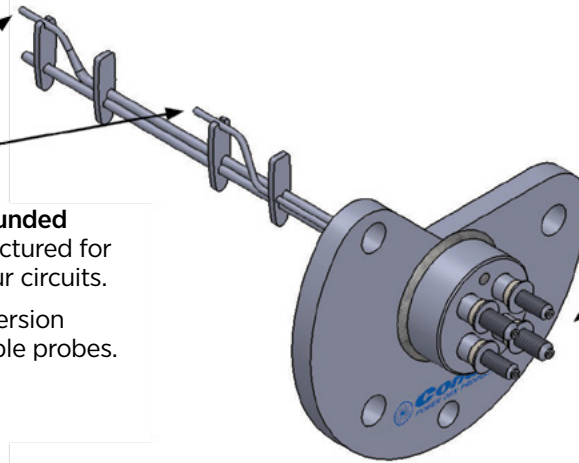
Ideas. Solutions. Success.

Key Features of the Conax Exhaust Gas Thermocouples For Pratt & Whitney FT8/GG8

Improved Design

Conax uses **two (2) dual circuit ungrounded thermocouple probes** that are manufactured for balanced loop resistance among all four circuits.

This is superior in design to the OEM version that utilizes four (4) single thermocouple probes. The Conax sensor meets or exceeds all OEM functionality.



Conax uses a **four (4) post hermetic connector that exceeds OEM specifications** and is adaptable to an existing cable harness.

Specifications

Calibration:

- Type K, Chromel Alumel®
- Meets the requirements of ASTM E585 and ASTM E608

Insulation Resistance:

- 1×10^7 ohms @ 50 VDC

Time Response:

- < 0.5 sec per ASTM E839

Hermetic Seal:

- 1×10^{-6} ssc/sec He for the entire thermocouple

Sheath Diameter:

- 0.093" reduced to 0.062" tip

Environmental Ranges:

- -70° to 700°F (-29° to 56°C) at the termination
- 100% humidity for the entire thermocouple

Applications:

- Pratt & Whitney FT8 Frame Turbine

Related Products:

- Exhaust Gas Thermocouple—Model 351A3488 Bulletin 6052
- Exhaust Gas Thermocouple—Model 372A2221 Bulletin 6069
- Bearing Sensors: Bulletin 6035
- Hermetic Wheelspace Thermocouples—Model 361A2289 Bulletin 6053
- Bearing Sensor Wire Seals: Catalog 5001
- RTDs/Thermocouples: Bulletin 6002
- Frame 5, 6, 7 Retrofit Exhaust Gas Sensors Bulletin 6064
- Enhanced Hermetic Exhaust Gas Thermocouple Bulletin 6054E

For more information about Conax Technologies, visit conaxtechnologies.com.

2300 Walden Avenue, Buffalo, New York 14225
+1 800 223 2389 (P) | +1 716 684 7433 (F)
spa@conaxtechnologies.com  Made in U.S.A.
Bulletin 6108, Rev A ©2016 Conax Technologies 11/16


Conax
TECHNOLOGIES
Ideas. Solutions. Success.

conaxtechnologies.com

