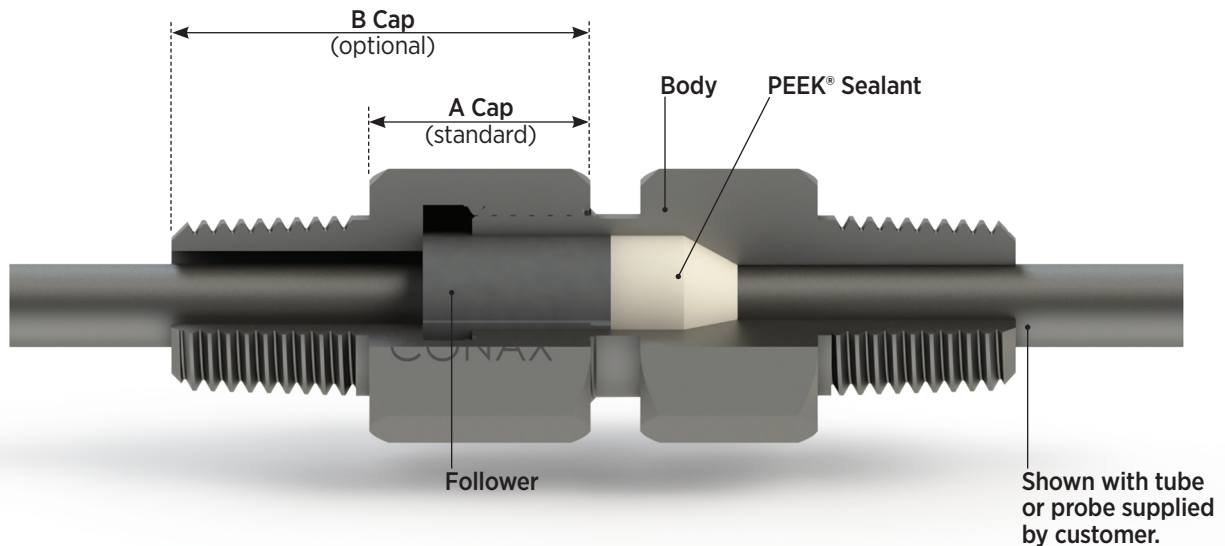


# HPG High-Performance PG Series

## Compression Seal Fitting



Conax Technologies has a history of creative innovation that results in unique product solutions and design improvement. With the HPG High-Performance PG Series, Conax has found a way to improve one of our time-tested solutions. The result is an exclusive, high performance compression seal fitting that is only available from Conax.

Employing PEEK® as a sealant material offers unique properties, such as chemical resistance rivaling PTFE, higher operating temperatures, a lower expansion rate, and little to no cold flow—with almost no trade-offs.

By optimizing the fitting design and using a PEEK® sealant, we have been able to increase pressure performance by more than 1700%.

If you need to seal on a single sensor, electrode, tube or conductor, Conax Technologies has a variety of options for you. For high-performance electrode feedthroughs (8,000V max, 200A max), please request Conax brochure 6068.

The HPG High-Performance PG Series compression seal fitting is especially well suited to the unique conditions found in furnaces, autoclaves, environmental chambers, oil and gas applications, and chemical and biochemical reactors, where process temperatures and pressures combine to create challenging environments.

In addition to the bore sizes listed in the chart on page 2, Conax can also provide fittings with metric or custom bore sizes.

These fittings are available with options similar to those available on our standard compression seal fittings including:

•**Process connection options:**

- NPT (standard)
- Weld neck
- Parallel thread (MS/SAE/BSPP)
- ANSI or DN flanges

•**Body material options:**

- 303SS (standard)
- 316LSS
- Inconel 600
- Hastelloy C276
- Monel 405
- NACE
- Other materials upon request

•**Bore Sizes**

Replacement parts are available to keep on hand, minimizing down time and providing instant repairs if damage should occur.

The HPG Series bodies have special internal configuration for use with Conax PEEK® sealants. Use of other parts or materials will result in lower to significantly lower pressure ratings.



Ideas. Solutions. Success.

## HPG High-Performance PG Series Compression Seal Fitting

To select your exact fitting from the chart below, identify your probe/tube diameter and determine which mounting thread suits your needs. Finally, add the "A" or "B" cap style per the example shown below. Don't see what you need? Please call us.

Mounting* Thread	Tube/Probe Diameter		Catalog Number	Length 'A'		Length 'B'		Hex Size				Pressure Rating	
	IN	MM		IN	MM	IN	MM	Body IN	Cap IN	Body MM	Cap MM	PEEK	
												PSIG	BAR
1/8" NPT	0.125	3.18	HPG2(PTM1/)-125	2.00	50.8	2.63	66.7	0.750	0.750	19.1	19.1	2,000	138
1/8" NPT	0.187	4.75	HPG2(PTM1/)-187	2.00	50.8	2.63	66.7	0.750	0.750	19.1	19.1	5,600	386
1/4" NPT	0.125	3.18	HPG2-125	2.00	50.8	2.63	66.7	0.750	0.750	19.1	19.1	2,000	138
1/4" NPT	0.187	4.75	HPG2-187	2.00	50.8	2.63	66.7	0.750	0.750	19.1	19.1	5,600	386
1/4" NPT	0.250	6.35	HPG2-250	2.00	50.8	2.63	66.7	0.750	0.750	19.1	19.1	5,600	386
3/8" NPT	0.125	3.18	HPG2(PTM3/)-125	2.00	50.8	2.63	66.7	0.750	0.750	19.1	19.1	2,000	138
3/8" NPT	0.187	4.75	HPG2(PTM3/)-187	2.00	50.8	2.63	66.7	0.750	0.750	19.1	19.1	5,600	386
3/8" NPT	0.250	6.35	HPG2(PTM3/)-250	2.00	50.8	2.63	66.7	0.750	0.750	19.1	19.1	5,600	386
3/8" NPT	0.375	9.53	HPG4(PTM3/)-375	2.56	65.0	3.31	84.1	1.000	1.000	25.4	25.4	7,600	524
1/2" NPT	0.250	6.35	HPG2(PTM4/)-250	2.00	50.8	2.63	66.7	0.750	0.750	19.1	19.1	5,600	386
1/2" NPT	0.375	9.53	HPG4-375	2.56	65.0	3.31	84.1	1.000	1.000	25.4	25.4	7,600	524
1/2" NPT	0.500	12.70	HPG5(PTM4/)-500	2.88	73.0	3.63	92.1	1.250	1.500	31.8	38.1	5,200	358
3/4" NPT	0.375	9.53	HPG4(PTM5/)-375	2.56	65.0	3.31	84.1	1.000	1.000	25.4	25.4	7,600	524
3/4" NPT	0.500	12.70	HPG5-500	2.88	73.0	3.63	92.1	1.250	1.500	31.8	38.1	5,200	358
3/4" NPT	0.625	15.88	HPG5-625	2.88	73.0	3.63	92.1	1.250	1.500	31.8	38.1	6,800	469
3/4" NPT	0.750	19.05	HPG5-750	2.88	73.0	3.63	92.1	1.250	1,500	31.8	38.1	7,200	496

All pressure ratings were determined at 68° F (20° C) using a solid stainless steel element. Pressure ratings degrade at higher temperatures. Pressure rating guide values are provided for fittings with elements restrained by the compressed sealant. Higher pressure may be attained with additional element restraints. For proper assembly and torque specifications of these seal fittings, see the Assembly Instructions provided in Catalog 5001 or 6026 Sealing Gland Assembly Instructions brochure.

**Catalog Order Number Example: HPG2-125-B-PK**



For more information on fittings and feedthroughs, request Catalog 5001D from [conaxtechnologies.com](http://conaxtechnologies.com).



For more information on thermocouples and RTD sensors, request Catalog 5005 from [conaxtechnologies.com](http://conaxtechnologies.com).

PEEK® is a registered trademark of Victrex plc.

2300 Walden Avenue, Buffalo, New York 14225  
 +1 800 223 2389 (P) | +1 716 684 7433 (F)  
[conax@conaxtechnologies.com](mailto:conax@conaxtechnologies.com)  Made in U.S.A.

Bulletin 6119, Rev A ©2018 Conax Technologies 6/18

  
**Conax**  
 TECHNOLOGIES  
 Ideas. Solutions. Success.



[conaxtechnologies.com](http://conaxtechnologies.com)