

4

3

2

1

PROPRIETARY

THIS DRAWING AND THE INFORMATION CONTAINED HEREIN, IS THE PROPERTY OF, AND PROPRIETARY TO CONAX TECHNOLOGIES, LLC., AND SHALL NOT BE DISCLOSED IN WHOLE OR IN PART TO ANY THIRD PARTIES WITHOUT PRIOR CONSENT OF CONAX TECHNOLOGIES, LLC.

REVISIONS

REV	DESCRIPTION	DATE	APPROVED
-	PER ECN-220269	04/26/2023	PM 10/18/2023

EXAMPLE: RTD (100 ohms), 2 WIRE, SINGLE
(INTRINSICALLY SAFE APPARATUS UNDER ENTITY CONCEPT)

ALL CLASSIFICATIONS

- Ex ia IIC Ga
- CLASS I, ZONE 0, AEx ia IIC Ga
- IS CLASS I, DIV 1, GROUP ABCD
- Ex ic IIC Gc
- CLASS 1, ZONE 2, AEx ic IIC Gc
- Ex ia IIC Ga

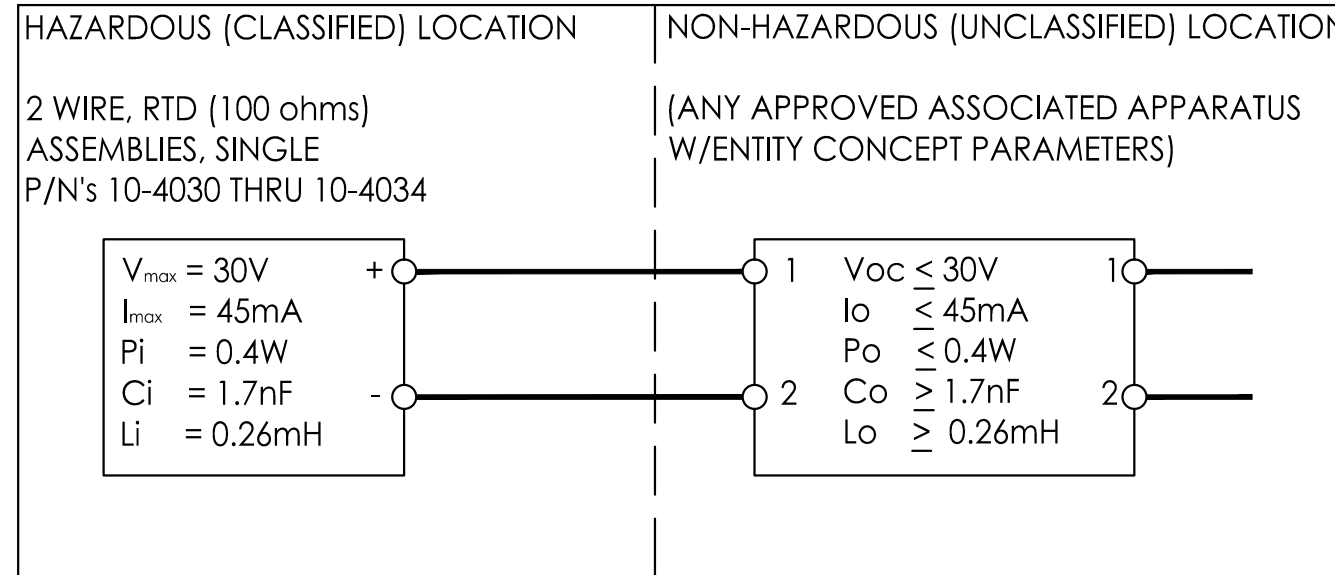


FIGURE 1

EXAMPLE: RTD (100 ohms), 3 WIRE, SINGLE
(INTRINSICALLY SAFE APPARATUS UNDER ENTITY CONCEPT)

ALL CLASSIFICATIONS

- Ex ia IIC Ga
- CLASS I, ZONE 0, AEx ia IIC Ga
- IS CLASS I, DIV 1, GROUP ABCD
- Ex ic IIC Gc
- CLASS 1, ZONE 2, AEx ic IIC Gc
- Ex ia IIC Ga

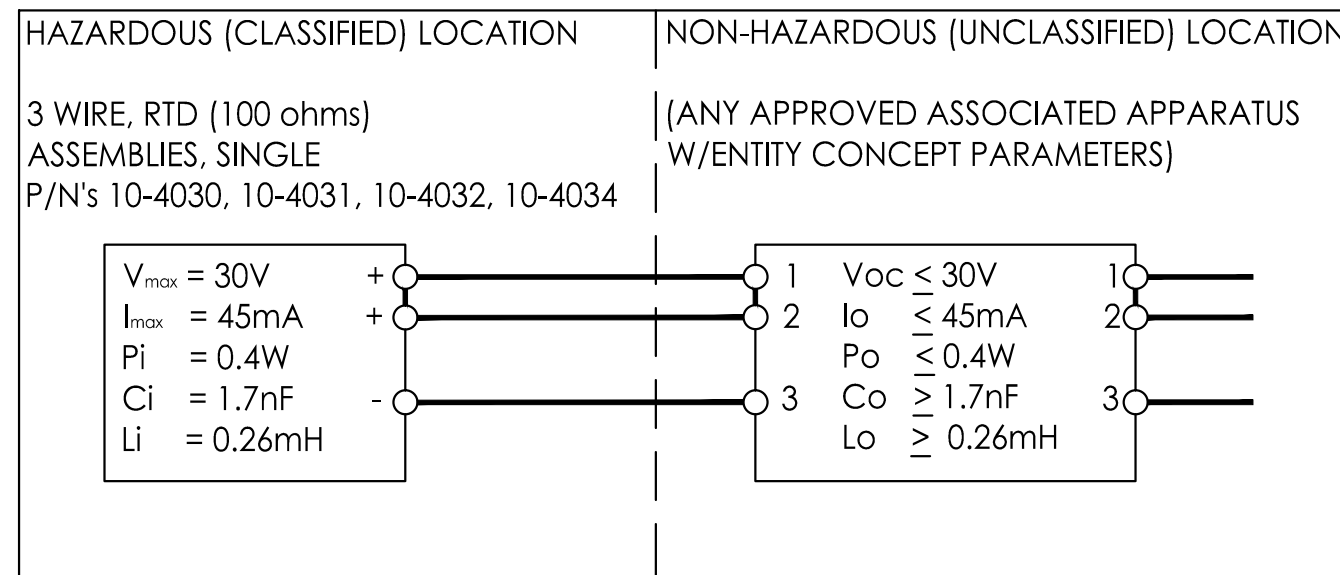


FIGURE 2

DIMENSIONS AND TOLERANCES PER ASME Y14.5 1992
 DIMENSIONS ARE IN INCHES UNLESS OTHERWISE SPECIFIED
 DIMENSIONS IN [] ARE IN mm

TOLERANCES:
 .XX ± .01 .XXX ± .005
 ANGLES ± 1/2°
 FILLETS .005 - .040
 RADIUS .005 - .015

125/√ FINISH ALL OVER
 DO NOT SCALE DRAWING
 THIRD ANGLE PROJECTION

APPROVALS	DATE
DWN P JZ	4/26/2023
CHKD PM	10/18/2023
ENGR PM	10/18/2023
REF: -	

Conax TECHNOLOGIES 2300 WALDEN AVENUE
 BUFFALO, NY 14225

TITLE
**INTRINSIC SAFETY CONTROL DRAWING
 FOR RTDs PNs 10-4030 THRU 10-4034**

PROJECT:	SIZE	CAGE CODE	DWG. NO.	REV.
	C	1CRL3	75-0035	-
SCALE: 2 = 1	SHEET 1 OF 2			

4

3

2

1

D

C

B

A

DWG. NO. 75-0035
 SHT 1 REV. -

4

3

2

1

PROPRIETARY

THIS DRAWING AND THE INFORMATION CONTAINED HEREIN, IS THE PROPERTY OF, AND PROPRIETARY TO CONAX TECHNOLOGIES, LLC., AND SHALL NOT BE DISCLOSED IN WHOLE OR IN PART TO ANY THIRD PARTIES WITHOUT PRIOR CONSENT OF CONAX TECHNOLOGIES, LLC.

FOR REVISION HISTORY SEE SHEET 1

ALL CLASSIFICATIONS

- Ex ia IIC Ga
- CLASS I, ZONE 0, AEx ia IIC Ga
- IS CLASS I, DIV 1, GROUP ABCD
- Ex ic IIC Gc
- CLASS 1, ZONE 2, AEx ic IIC Gc
- Ex ia IIC Ga

EXAMPLE: RTD (100 ohms), 4 WIRE, SINGLE
(INTRINSICALLY SAFE APPARATUS UNDER ENTITY CONCEPT)

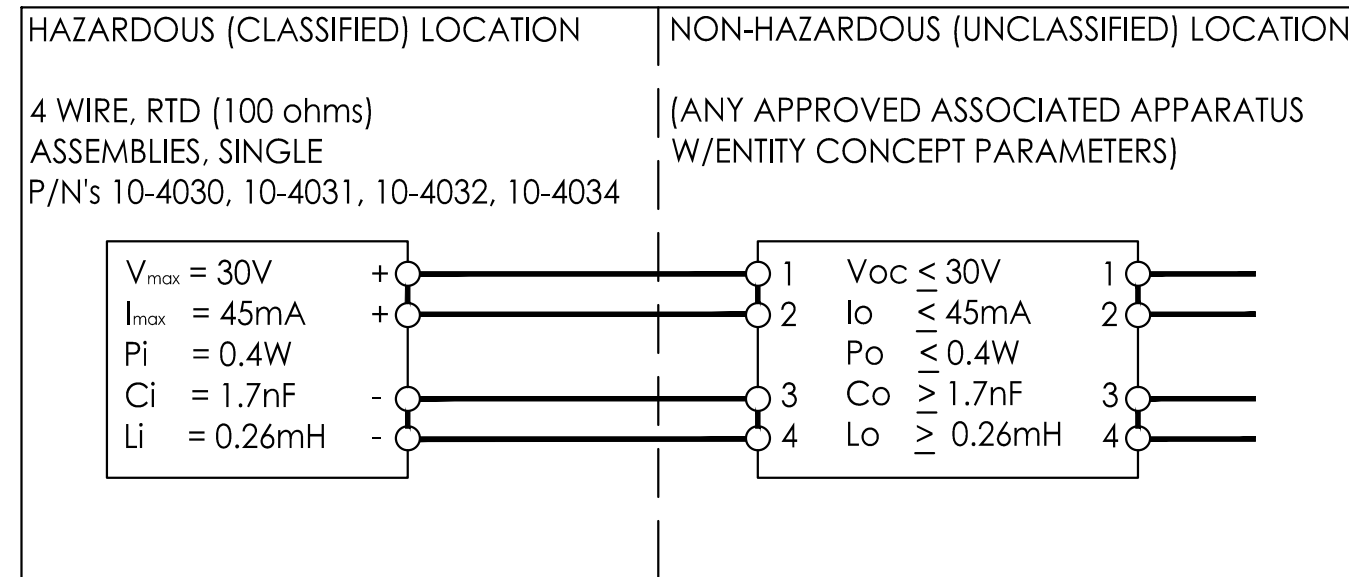


FIGURE 3

EXAMPLE: RTD (100 ohms), 3 WIRE, DUAL
(INTRINSICALLY SAFE APPARATUS UNDER ENTITY CONCEPT)

ALL CLASSIFICATIONS

- Ex ia IIC Ga
- CLASS I, ZONE 0, AEx ia IIC Ga
- IS CLASS I, DIV 1, GROUP ABCD
- Ex ic IIC Gc
- CLASS 1, ZONE 2, AEx ic IIC Gc
- Ex ia IIC Ga

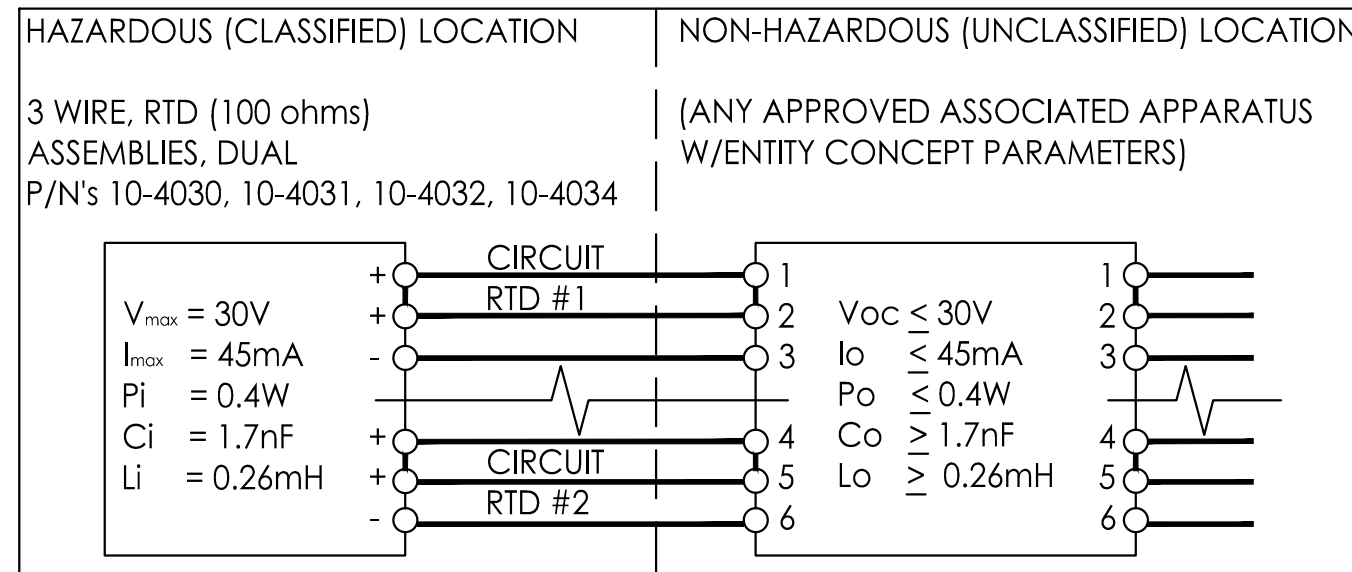


FIGURE 4

DIMENSIONS ARE IN INCHES
UNLESS OTHERWISE SPECIFIED
DIMENSIONS IN [] ARE IN mm

Conax TECHNOLOGIES 2300 WALDEN AVENUE
BUFFALO, NY 14225

THIRD ANGLE PROJECTION	SIZE	CAGE CODE	DWG. NO.	REV.
	C	1CRL3	75-0035	-
SCALE: 2 = 1			SHEET 2 OF 2	

FORM C21CRL30713A

4

3

2

1

DWG. NO. 75-0035 SHT 2 REV. -